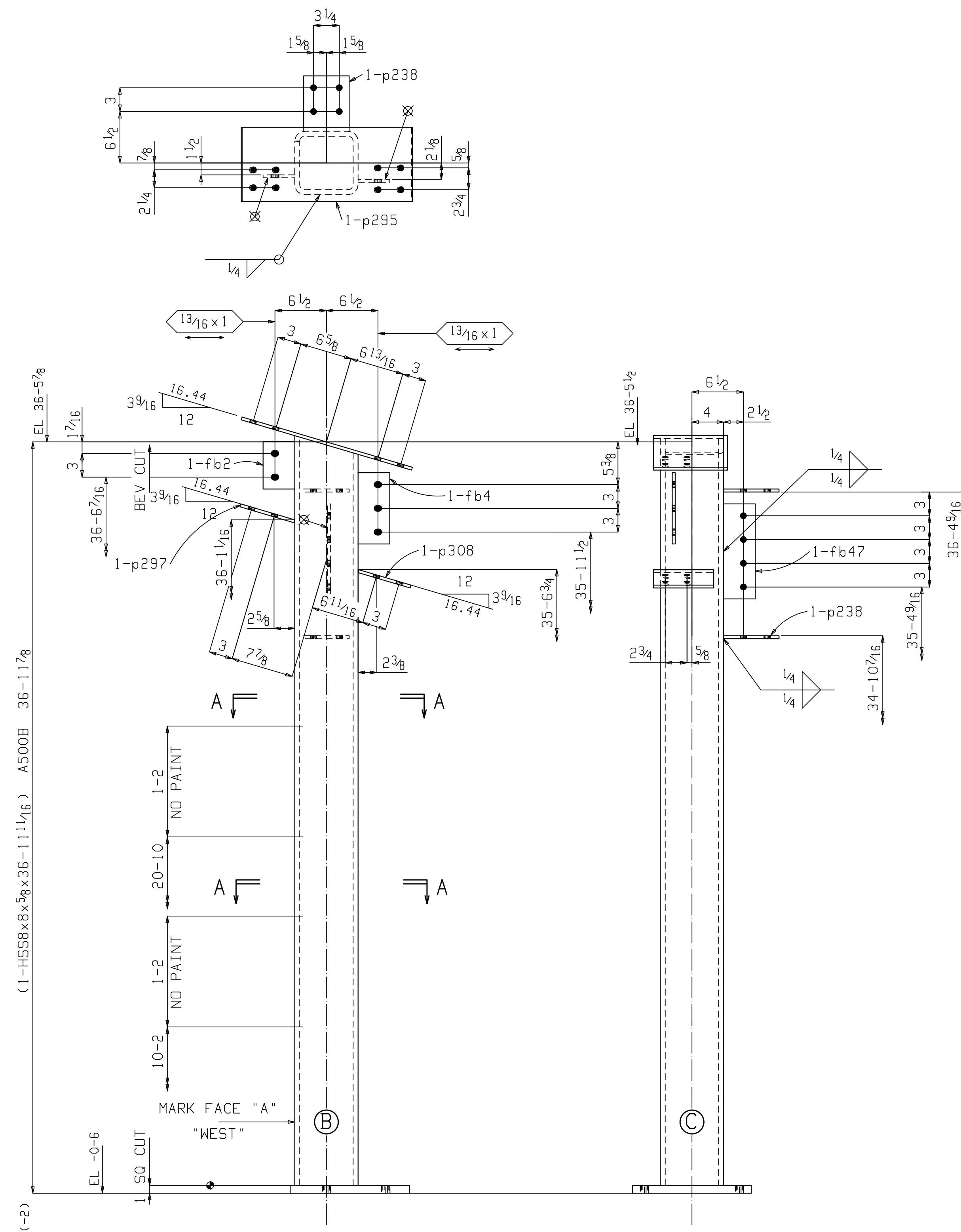


BILL OF MATERIAL

SEQ	QTY	ERECT. MK	NO.	SHAPE	LENGTH	ASSY MK	REMARKS	GRADE	ITEM	Weight
										Unit
1	1	125C1	ONE	COLUMN						2302
			1	HSS8x8x5/8	36	111/16	125C1	SIE BIE	A500B	2187
			1	PL1x15	1	3	BP2		A36	63
			1	PL3/8x9 3/8	1	10 7/16	p295		A36	22
			1	PL3/8x7 1/8	0	7 5/8	p297		A36	6
			2	PL3/8x5 3/4	0	7	p238		A36	4
			1	FL3/8x4	1	0	fb47		A36	5
			1	FL3/8x4	0	9	fb4		A36	4
			1	FL3/8x4	0	6	fb2		A36	2
			1	PL3/8x6 7/8	0	7 5/8	p308		A36	5



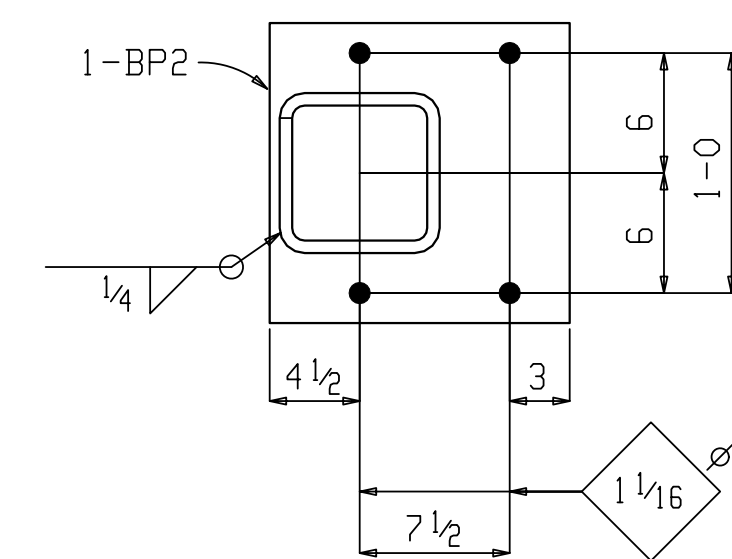
NO PAINT THIS FACE. SEE DETAIL FOR EXTENTS

NO PAINT THIS FACE. SEE DETAIL FOR EXTENTS

Section A-A
125C1

Total weight : 2302

BUY AMERICAN!



ONE COLUMN 125C1

AT GRID:
E & 1

REFERENCE DRWG./LOCATION	E101 & E102	
MATERIAL (UNLESS NOTED)	0	Apr 23 2020
A36	A	Mar 24 2020
SURFACE PREPARATION	REV	DATE
SP3		
SHOP PAINT	NEW AGE IRONWORKS LLC Structural & Misc.	
1 S/C SHOP PRIMER	400 S. LIVINGSTON STREET CLINTON, SC 29325 PH: 864-833-1592 FX: 864-833-1414	
SHOP CONNECTIONS/ELECTRODES	JOB HALES JEWELERS	
E70XX L.H.	LOCATION GREENVILLE, SC	
FIELD CONNECTIONS	DRWG. COVERS COLUMN DETAILS	
3/4 A325	DETAILER PALMETTO STRUCTURAL DETAILING, LLC	
HOLES (U.N.)	CHECKER McMAHAN DATE 3-24-20	
13/16	PROJECT MANAGER JUNIUS GARRETT	
	JOB #	DRWG. #
	20-018	F125

PLOT DATE/TIME: 23 Apr 2020 14:36:32