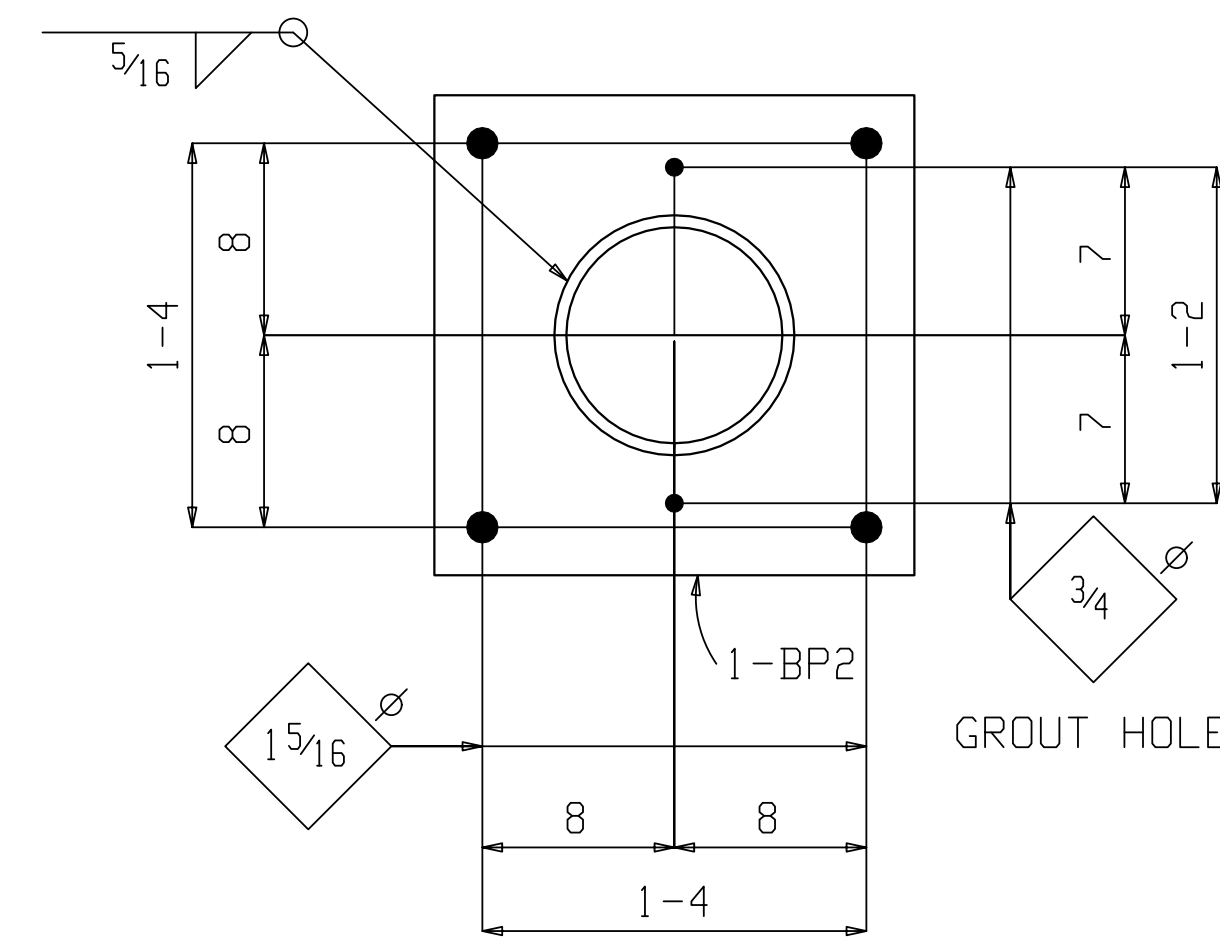
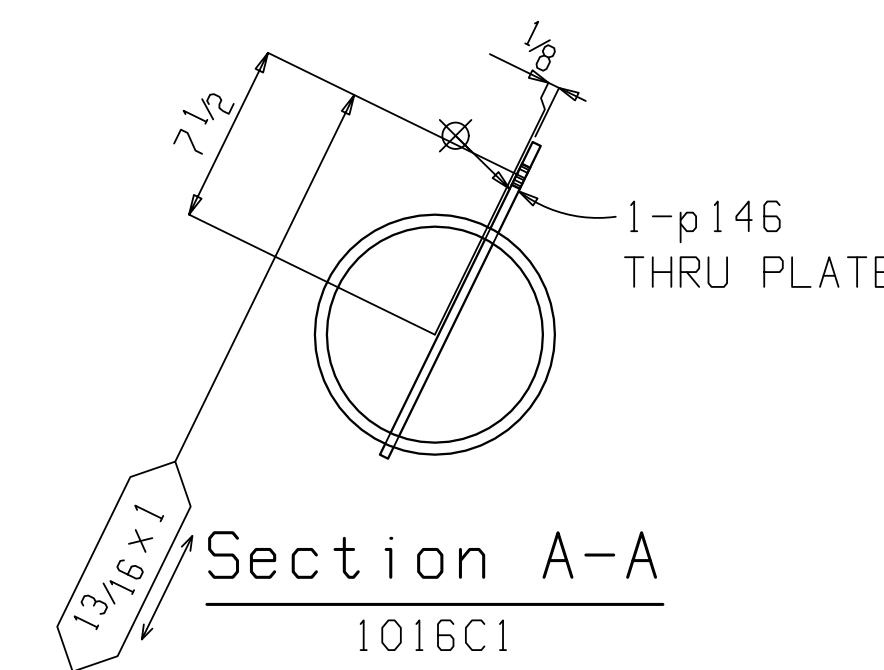
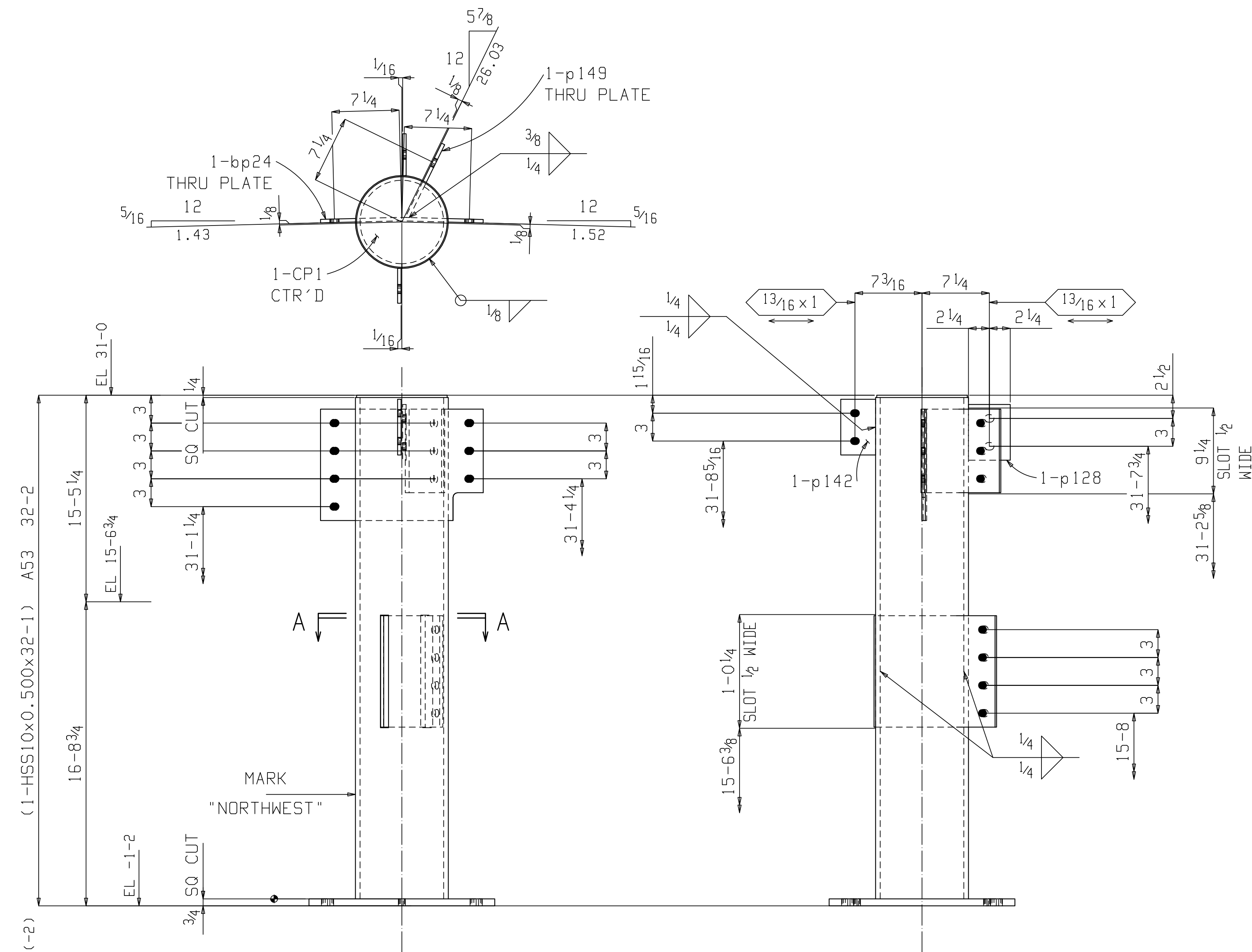


BILL OF MATERIAL

SEQ	QTY	ERECT. MK	NO.	SHAPE	LENGTH	ASSY MK	REMARKS	GRADE	ITEM	HOLE	Weight
											Unit
100	1	1016C1		ONE COLUMN					3-6		1767
				1 HSS10x0.500	32	1	1016C1 S2E	A53		N	1626
				1 PL 3/4x20	1	8	BP2	A36	Y		84
				1 BPL 3/8x12	1	5 1/2	bp24 BENT	A36	Y		21
				1 PL 3/8x12	1	2 1/2	p146	A36	Y		18
				1 PL 3/8x8 1/2	0	9	p149	A36	Y		8
				1 PL 3/8x4 1/2	0	6	p128	A36	Y		3
				1 PL 3/8x3 3/4	0	6	p142	A36	Y		2
				1 RPL 1/4x3 3/4			CP1	A36	N		5



ONE COLUMN 1016C1

AT GRID:
M3 & MCO.7

Total weight : 1767

REFERENCE DRWG. / LOCATION	E101 & E103		
MATERIAL (UNLESS NOTED)	ASTM A36	0 Apr 5 2019	RELEASE FOR FABRICATION
		A Mar 8 2019	ISSUE FOR APPROVAL
		REV DATE	DESCRIPTION
RELEASE AND REVISION RECORD			
SURFACE PREPARATION	SP2	 114 EAST WAREHOUSE COURT - TAYLORS, SC 29687 PHONE: 864 244-2860 - FAX: 864 244-0839	
SHOP PAINT	1 S/C SHERWIN WILLIAMS KEM KROMIC B50WZ1		
SHOP CONNECTIONS/ELECTRODES	WELD / E70XX	PROJECT	CHEROKEE HOSPITAL ADDITION
		CUSTOMER	ROBINS & MORTON GROUP
		LOCATION	CHEROKEE, NC
		ARCH/ENG	MC MILLAN PAZDAN SMITH / SKA CONSULTING ENGINEERS
FIELD CONNECTIONS	3/4 A325	DETAIL OF	COLUMN DETAILS (SEQ. 100)
HOLES (U.N.)	13/16	DETAILER	PALMETTO STRUCTURAL DETAILING
		CHECKER	McMAHAN DATE 3-6-19
		PM	E. FERRILL
		JOB NO.	31-19003
		DRAWING NO.	F1016