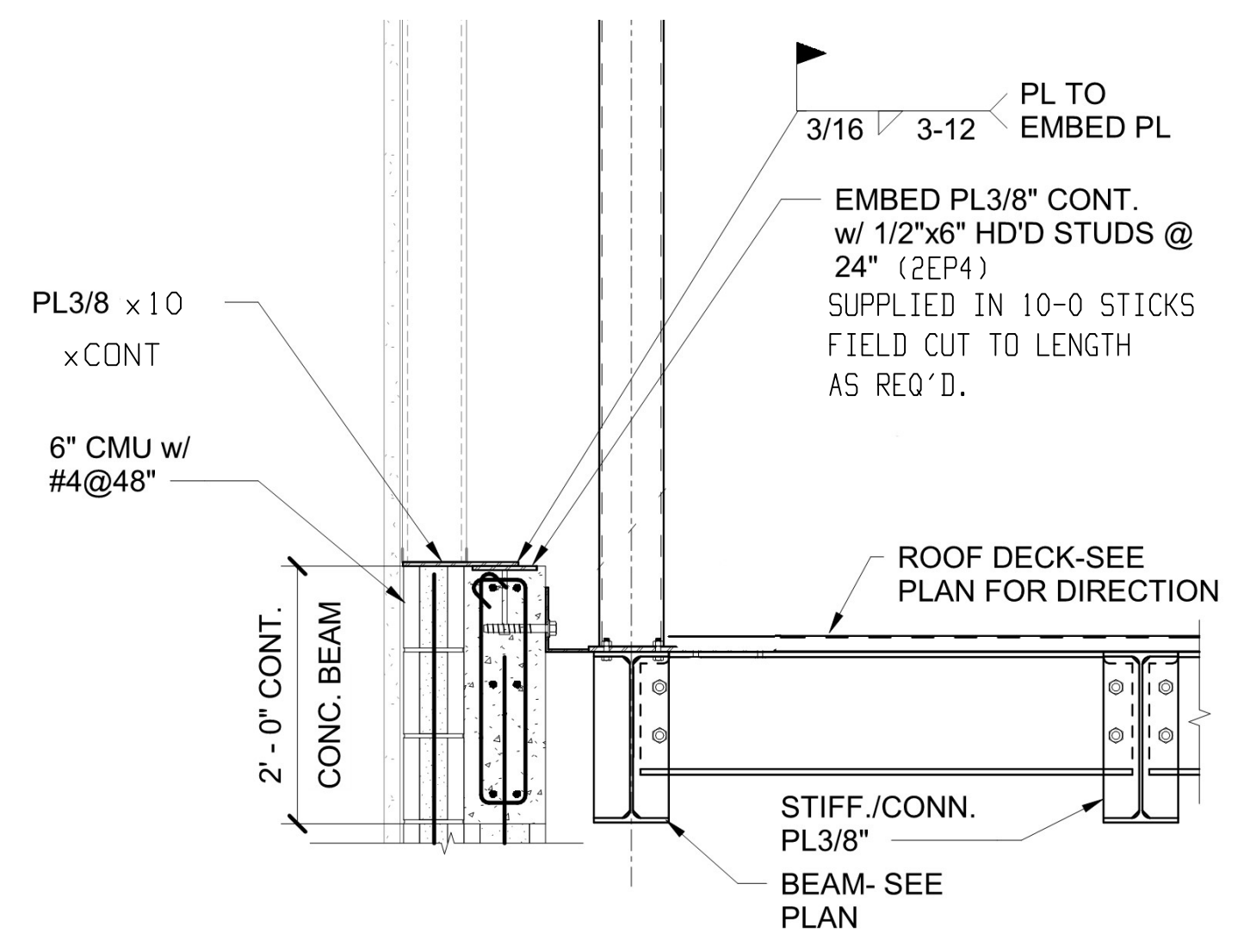
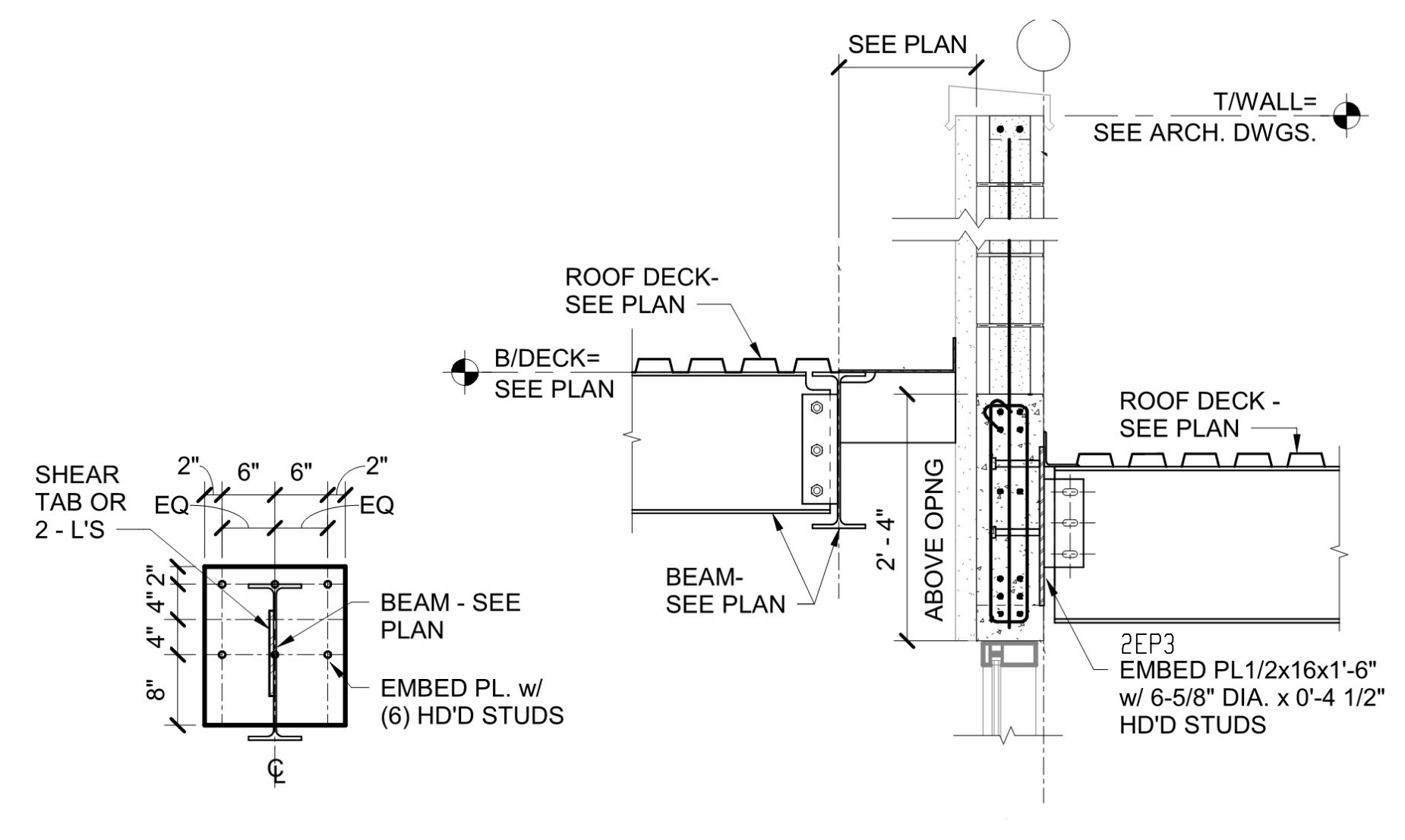


SECTION REMOVED PER LATEST ADDENDUM DESIGN.

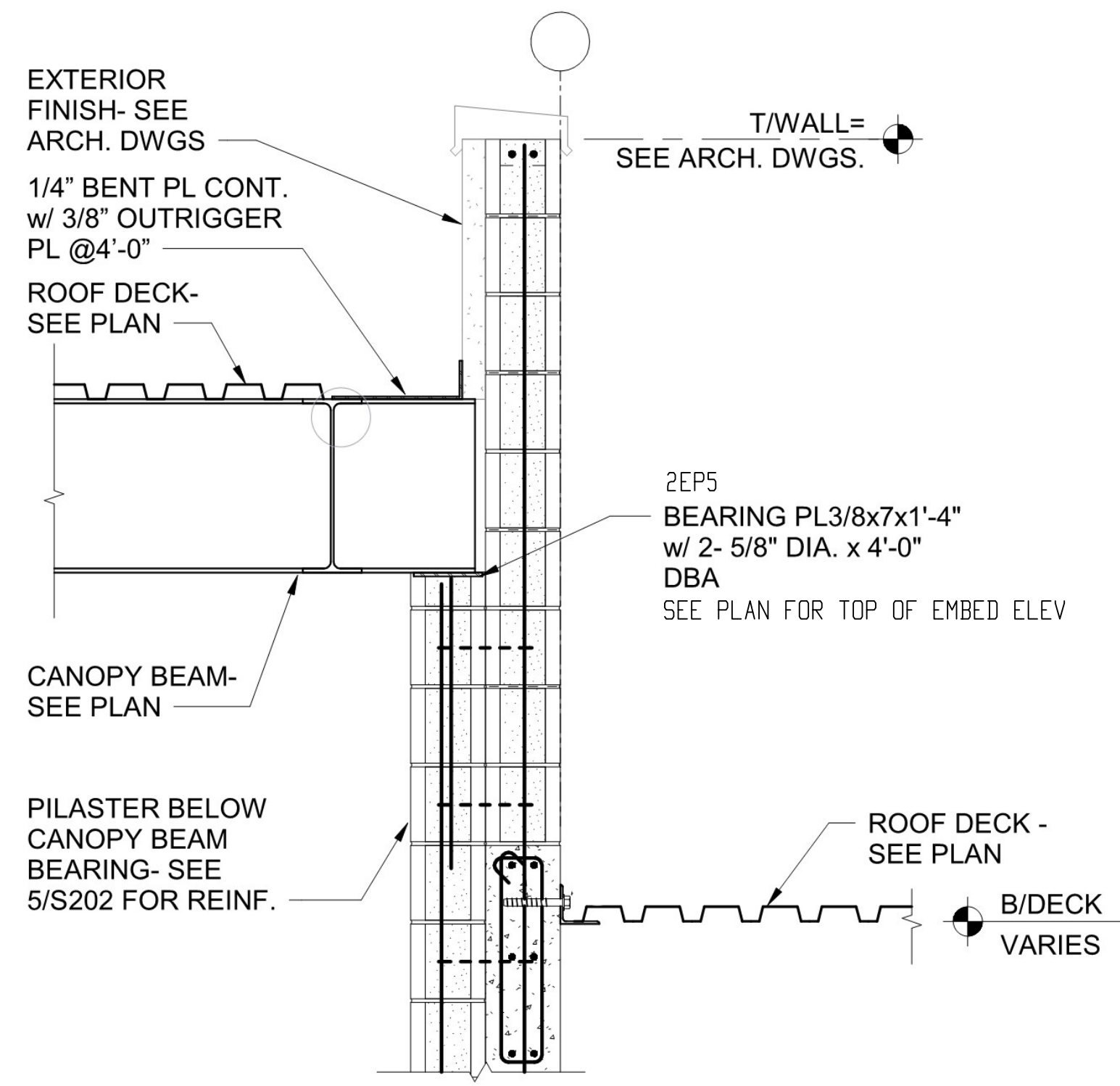


SECTION 3 EP2

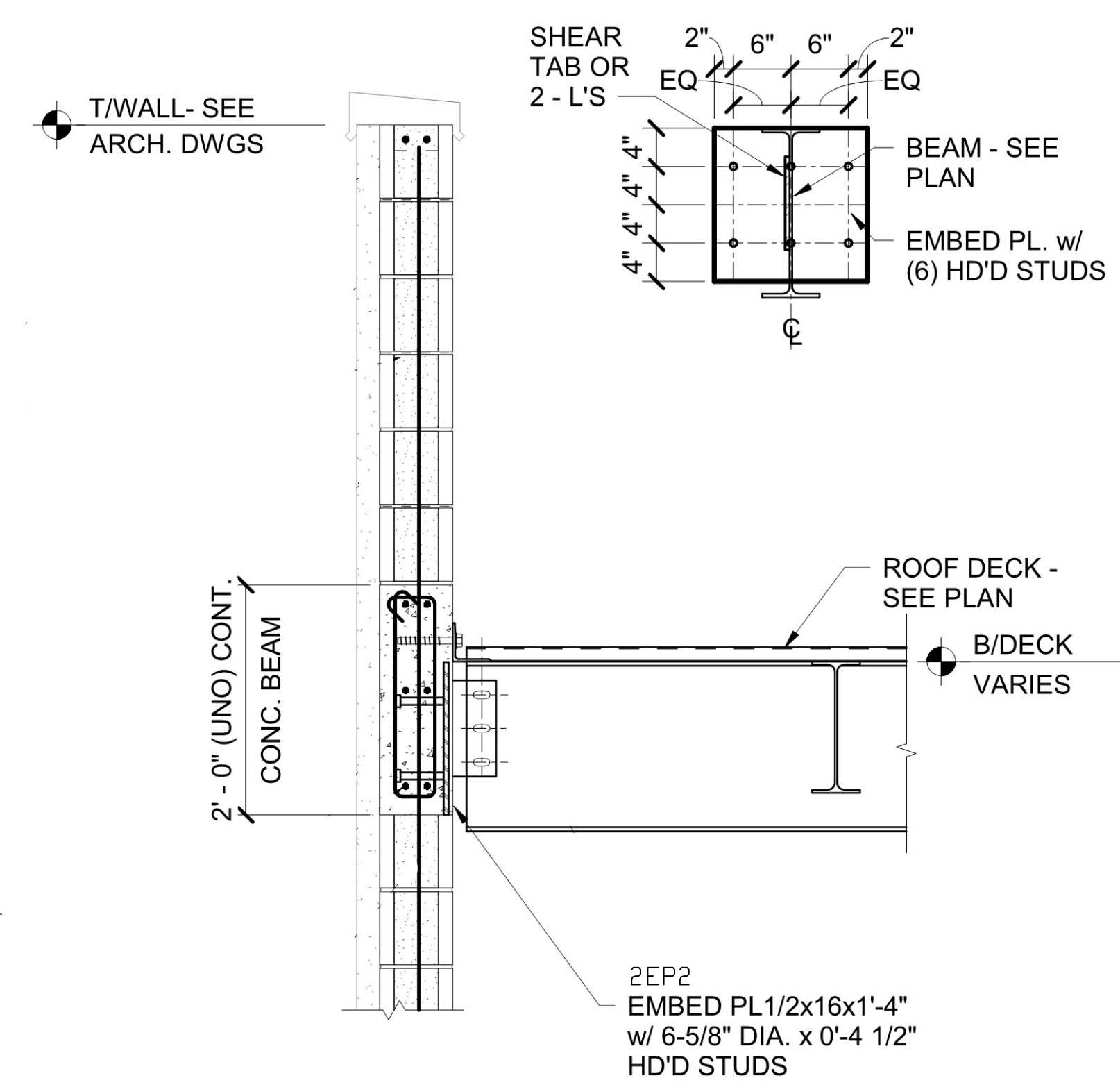


SECTION 4 EP2

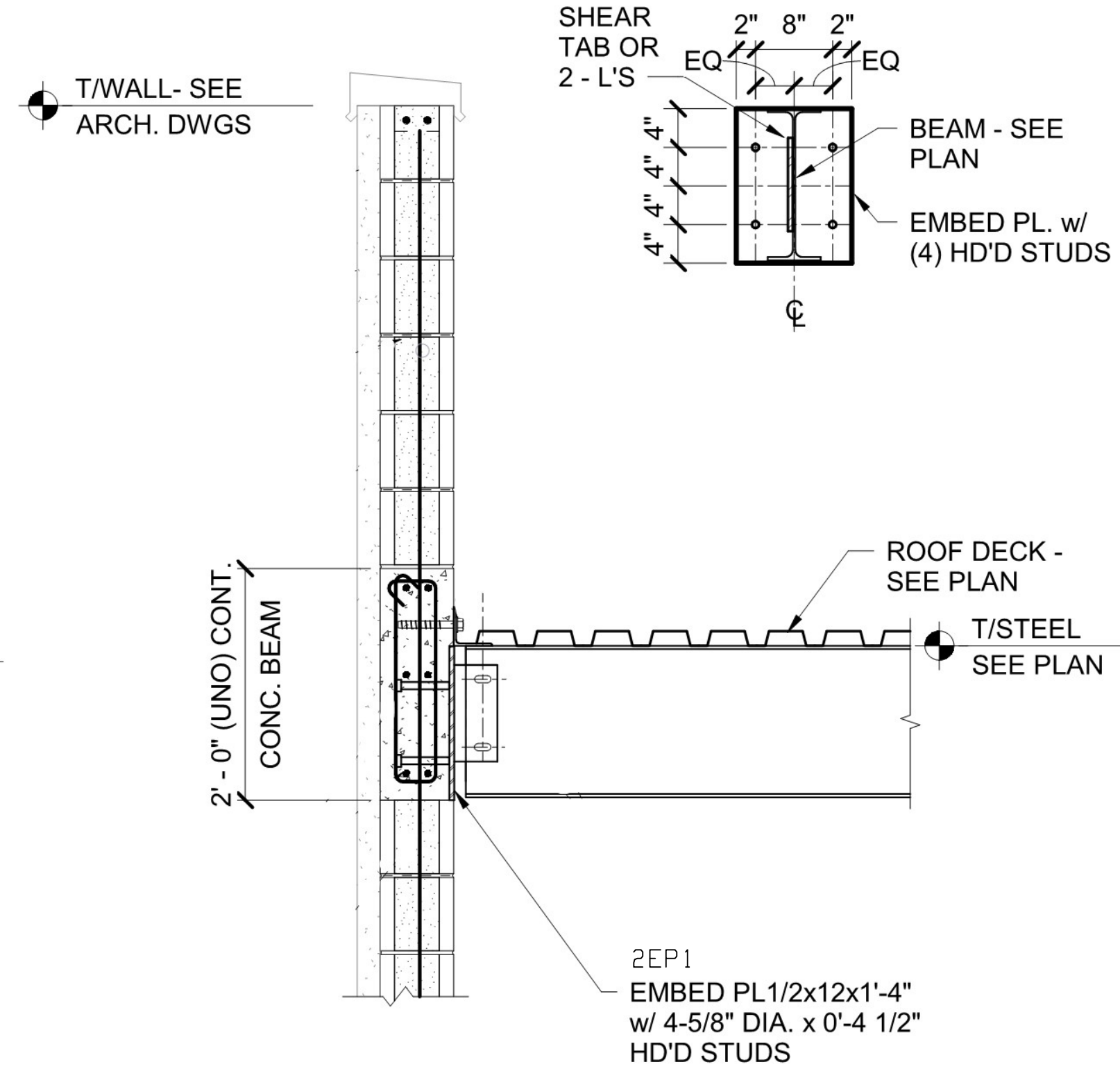
SECTION 1 EP2



SECTION 7 EP2



SECTION 9 EP2





SECTION 10 EP2

USE THESE SECTIONS FOR PLACEMENT OF EMBEDS ONLY. SEE DESIGN DRAWINGS FOR CMU REINFORCEMENT REQUIREMENTS. SEE MAIN ERECTION PLANS FOR BEAM CONNECTIONS AND DECK SUPPORT INFO.

REV	DATE	DESCRIPTION
0	Apr 20 2020	ISSUE FOR FIELD USE
B	Apr 1 2020	REVISED PER ADDENDUM, ISSUE FOR APPROVAL
A	Mar 2 2020	ISSUE FOR APPROVAL

		<b>SOUTHERN STRUCTURAL STEEL OF FLORIDA, INC.</b> 1000 31st ST. SOUTH ST. PETERSBURG, FL 33712		
STRUCTURE: CHAMPIONSGATE FREESTANDING EMERGENCY DEPARTMENT				
LOCATION: CHAMPIONSGATE BLVD, POLK COUNTY, FL				
CONTR/CUST: THE PHM GROUP - BRADENTON, FL				
ARCH/ENG: HEREFORD. DOOLEY ARCHITECTS / STRUCTURAL DESIGN GROUP, INC				
DESCRIPTION: EMBED SETTING DETAILS				
DETAILER: J. MILLER	DATE: 2-28-20	JOB NO: 20006E	SHEET NO: EP2	REV: 0
CHECKER: J. MCMAHAN	DATE: 2-29-20	20006E	EP2	0

PLOT DATE/TIME: Apr 2020 10:58:25 AM