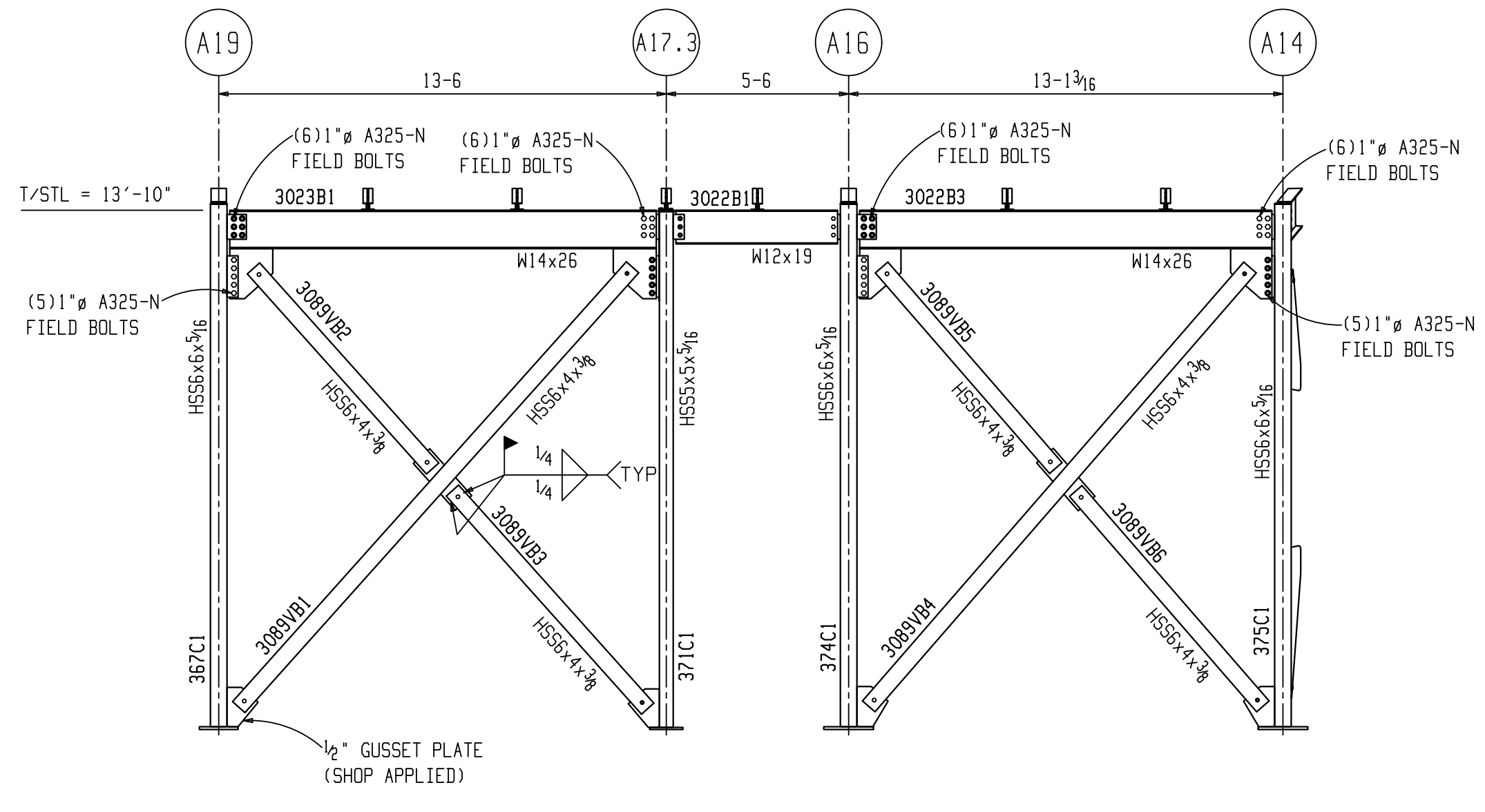
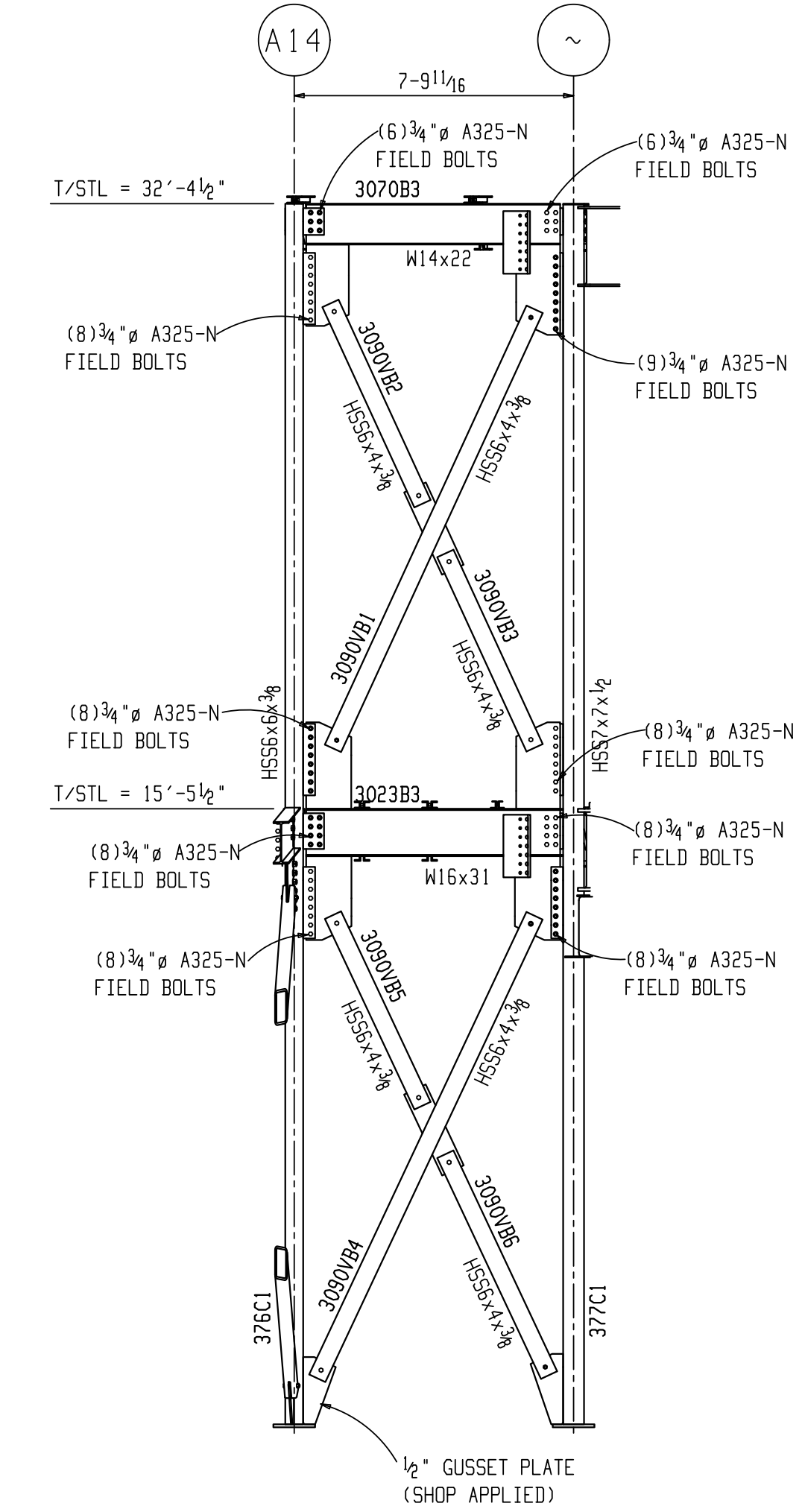


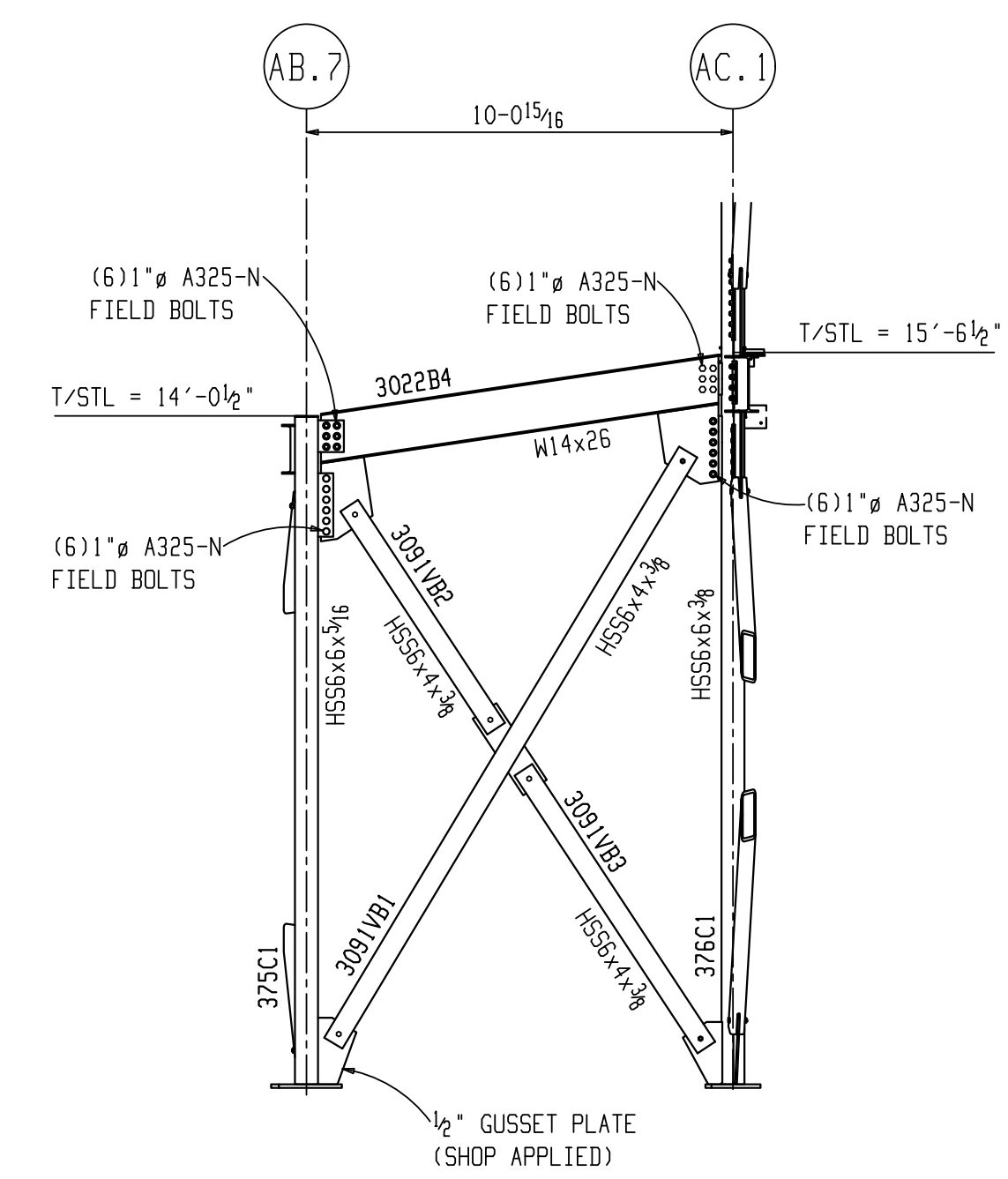
VBF ELEVATION (AREA A) 1
ALONG LINE AB.6 E902



VBF ELEVATION (AREA A) 2
ALONG LINE AB.7 E902



VBF ELEVATION (AREA A) 3
ALONG LINE AC.1 E902



VBF ELEVATION (AREA A) 4
ALONG LINE A14 E902

NOTICE TO ERECTOR

IF ANY CORRECTIVE WORK OR REPLACEMENT MATERIAL IS BELIEVED NECESSARY, THE STEEL FABRICATOR SHALL BE IMMEDIATELY ADVISED AND HIS AUTHORIZATION OBTAINED BEFORE ANY SUCH ACTION IS TAKEN ! ! ! !

| REV. | DATE | DESCRIPTION |
|------|----------|-----------------------|
| 0 | 1-24-18 | RELEASE FOR FIELD USE |
| A | 10-24-17 | ISSUE FOR APPROVAL |

| | |
|--|---------------|
| STEEL FABRICATORS, L.L.C. 1215-A NORTH MAIN, FOUNTAIN INN, SOUTH CAROLINA 29644 PHONE: 864 228-0000 FAX: 864 228-0021 | |
| JOB FAIRFOREST MIDDLE SCHOOL | |
| LOCATION SPARTANBURG, SOUTH CAROLINA | |
| CUSTOMER McKNIGHT CONSTRUCTION | |
| DRWG. COVERS VBF ELEVATIONS (AREA A) | |
| DETAILER PALMETTO STRUCTURAL DETAILING | |
| CHECKER McMAHAN | DATE 10-23-17 |
| PROJECT MANAGER Glenn Hall, II | |

PLOT DATE/TIME: 24 Jan 2018 11:19:34