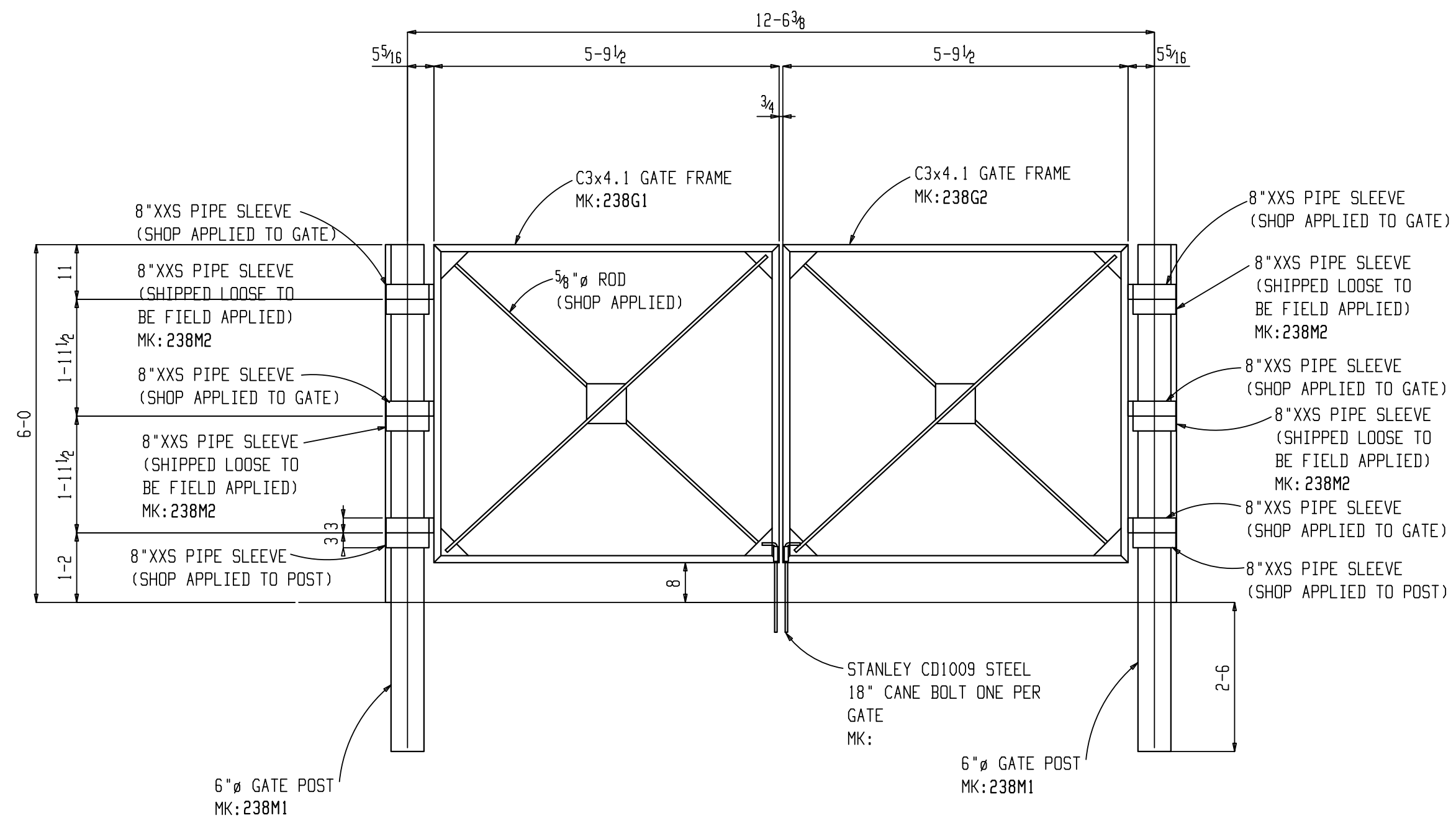
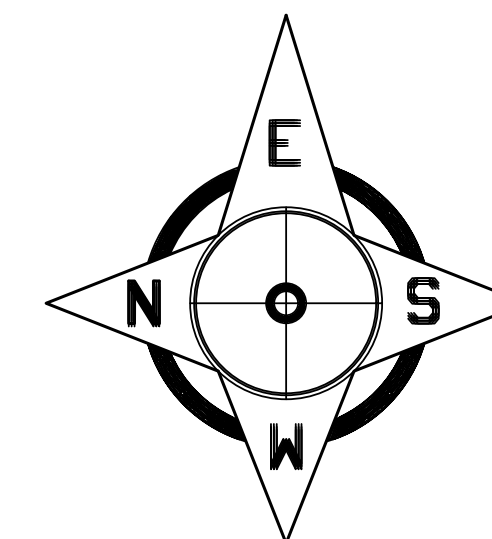


TRASH ENCLOSURE PLAN 1  
REF E205



DUMPSTER GATE ELEVATION 2  
E205



FOR ERECTION ONLY

**\*NOTICE TO ERECTOR\***

IF ANY CORRECTIVE WORK OR REPLACEMENT MATERIAL IS BELIEVED NECESSARY, THE STEEL FABRICATOR SHALL BE IMMEDIATELY ADVISED AND HIS AUTHORIZATION OBTAINED BEFORE ANY SUCH ACTION IS TAKEN ! ! ! !

|                                   |                                    |   |
|-----------------------------------|------------------------------------|---|
| 0                                 | May 6 2019                         | RELEASE FOR FIELD USE   |
| A                                 | Feb 18 2019                        | ISSUE FOR APPROVAL  |
| REV                               | DATE                               | DESCRIPTION   |
|                                   |                                    | 2427 DALLAS AVE.<br>APACHE JUNCTION, AZ 85120<br>PH: 480-671-5730<br>FX: 480-983-6802 |
| JOB 50C BUILDING 2 & 3            |                                    |   |
| LOCATION PHOENIX, AZ              |                                    |   |
| DRWG. COVERS TRASH ENCLOSURE PLAN |                                    |   |
| DETAILER                          | PALMETTO STRUCTURAL DETAILING, LLC | JOB #   |
| CHECKER                           | McMAHAN                            | DATE 2-18-19  |
| PROJECT MANAGER                   | DENISE GUENTHER                    | 19-113  |
|                                   |                                    | E205  |

PLOT DATE/TIME: 03 May 2019 16:50:13