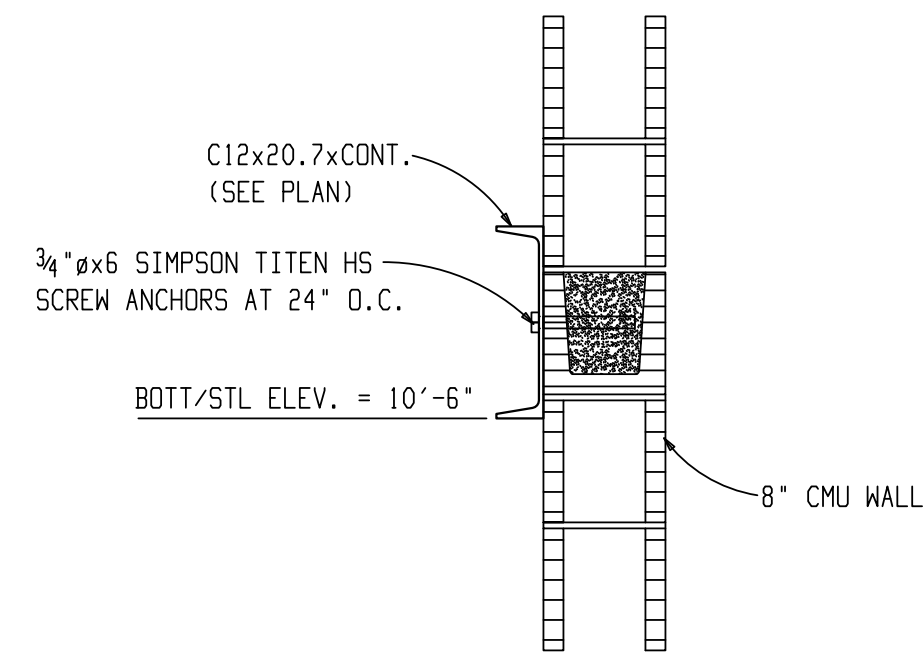
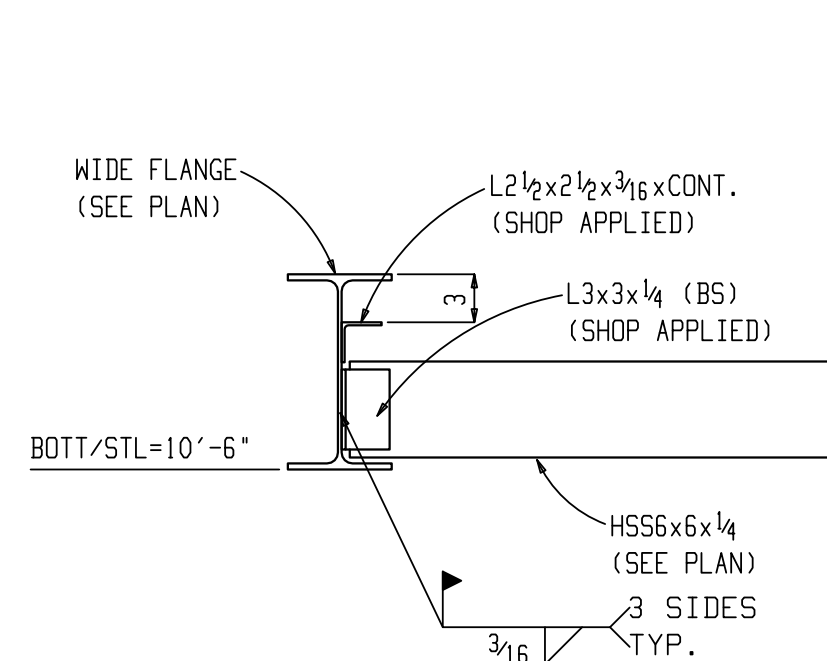


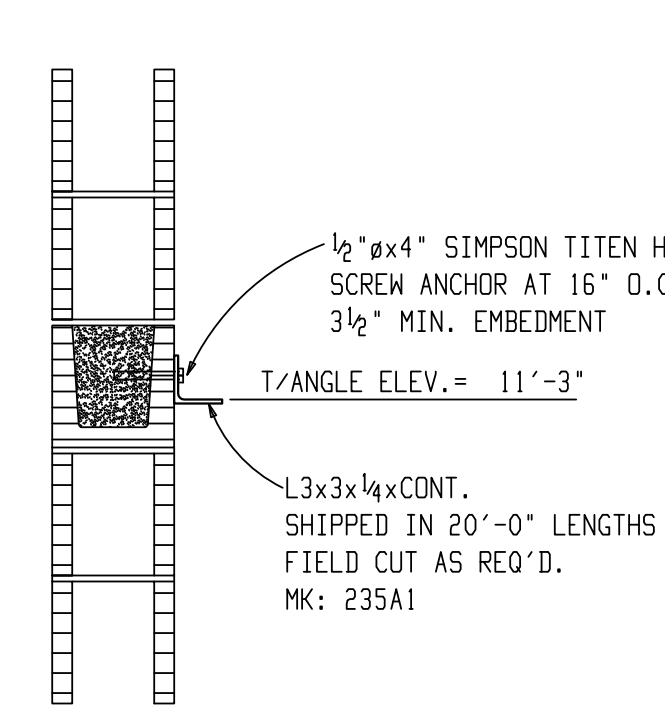
SECTION 1
REF E203



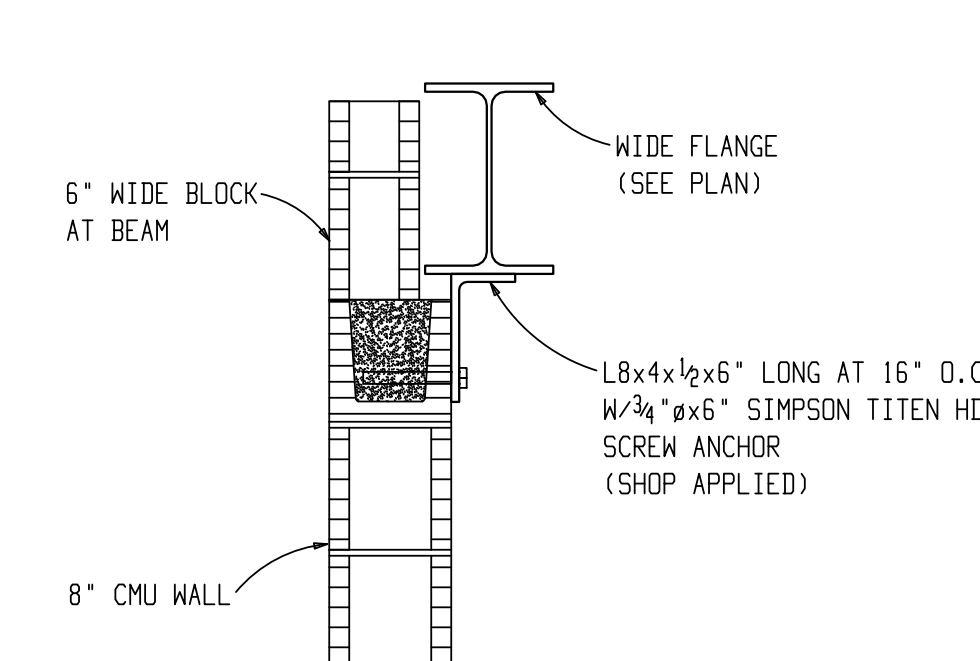
SECTION 2
REF E203



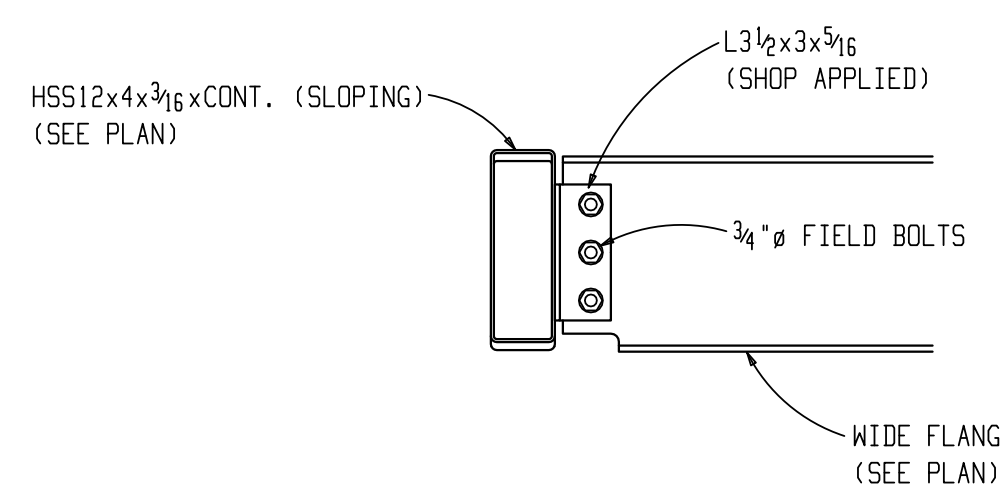
SECTION 3
REF E203



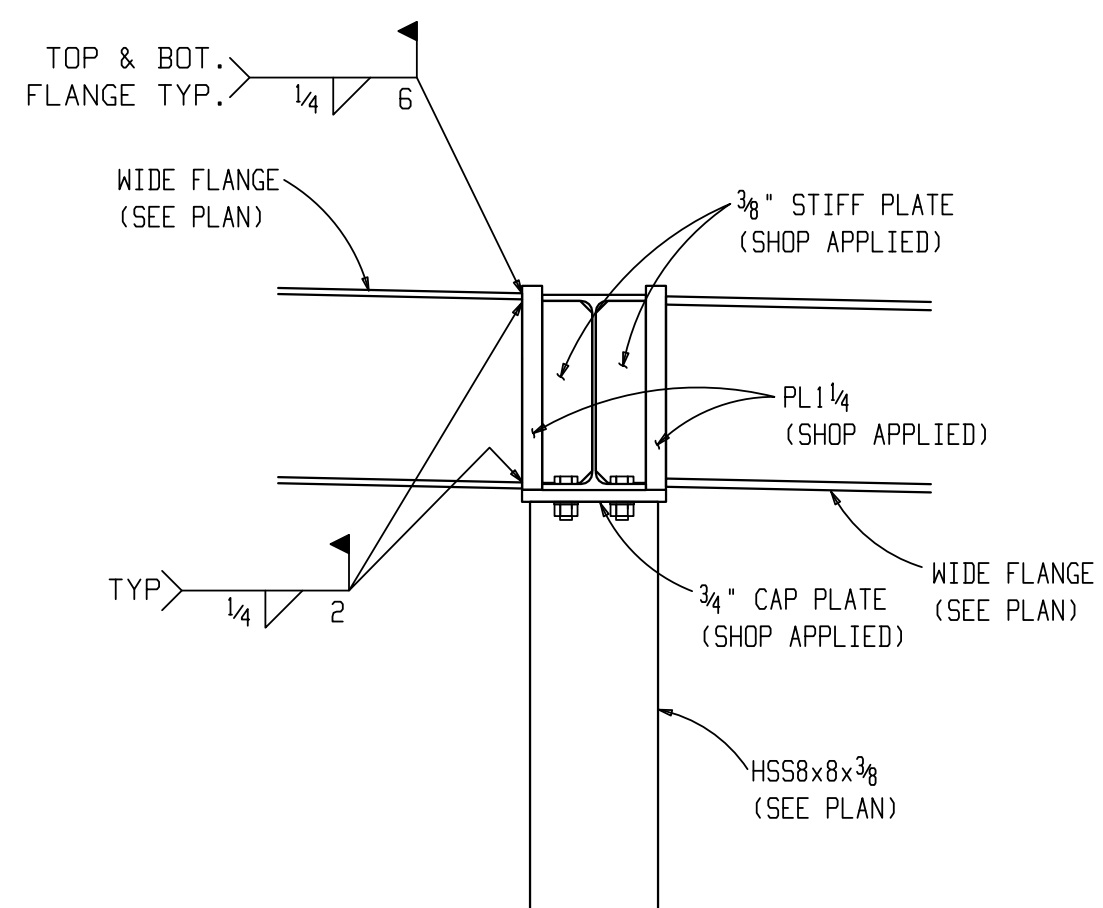
SECTION 4
REF E203



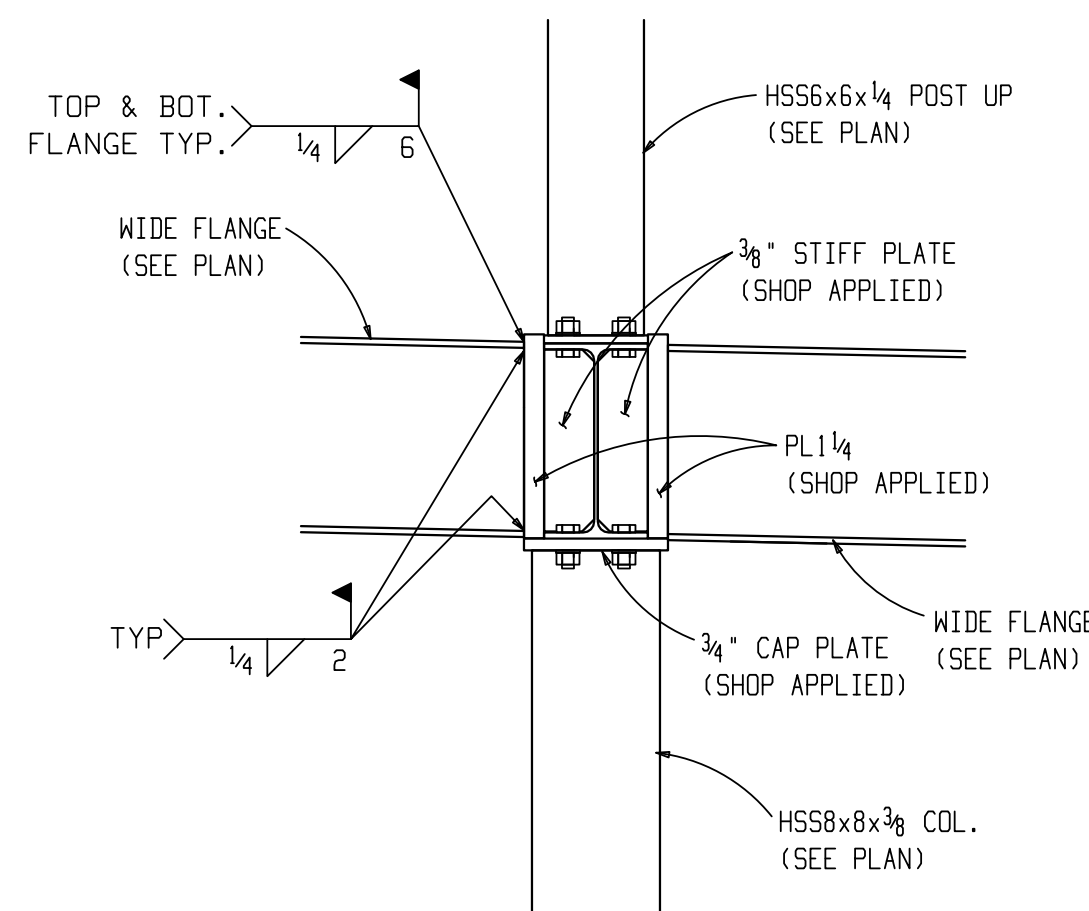
SECTION 5
REF E203



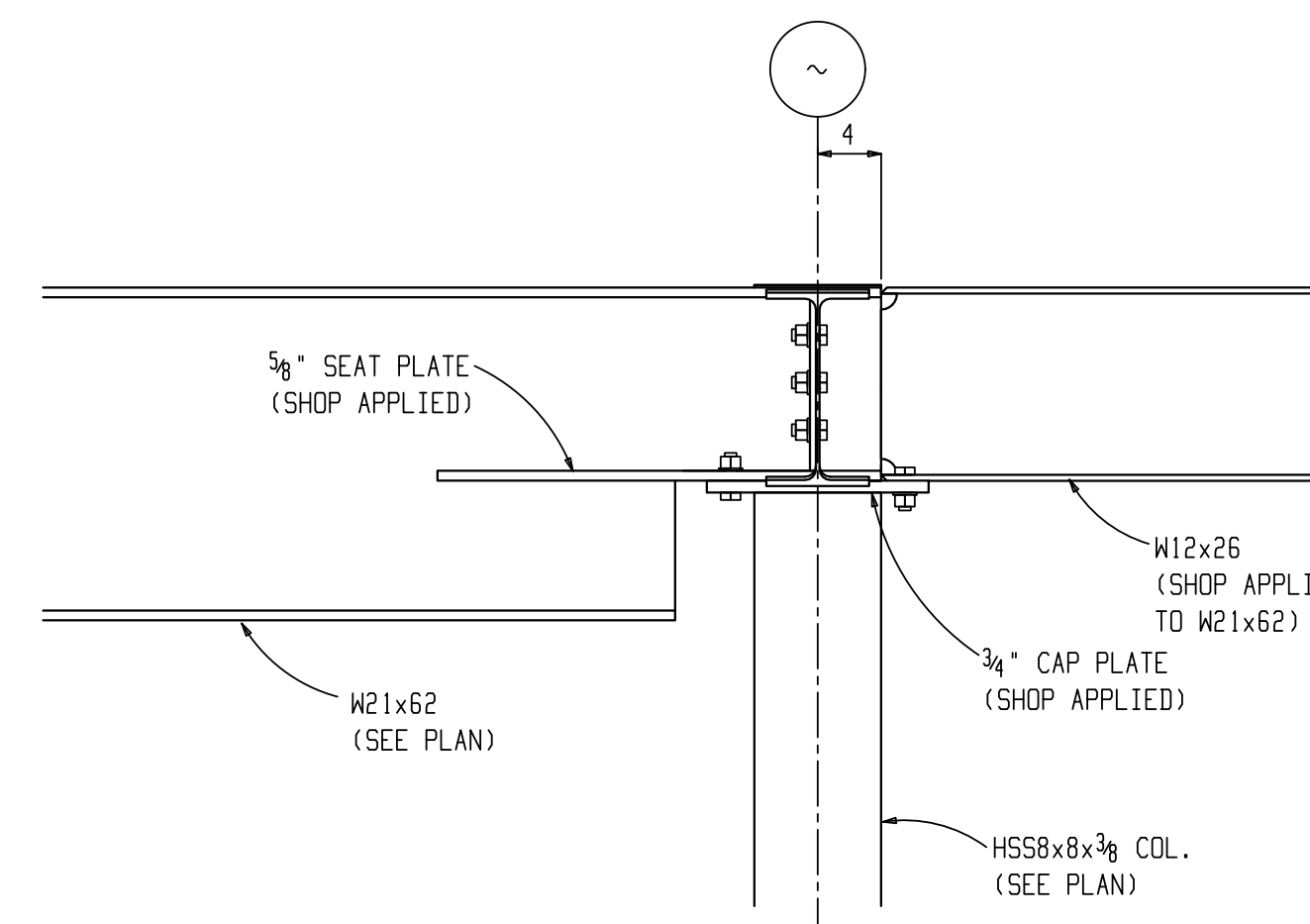
SECTION 6
REF E203



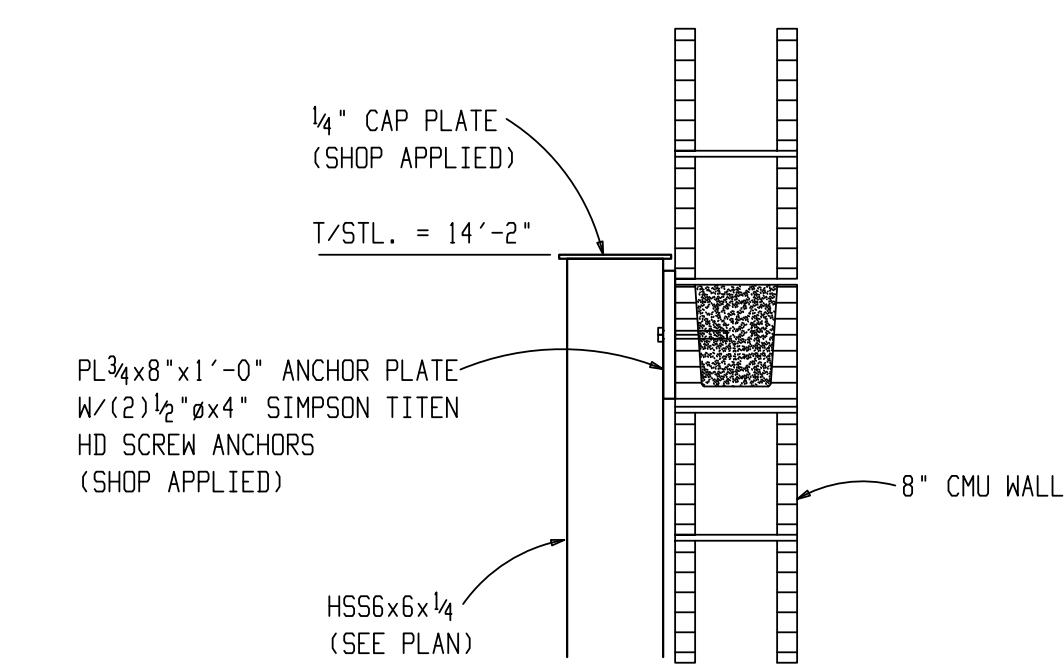
MOMENT CONNECTION 7
REF E203



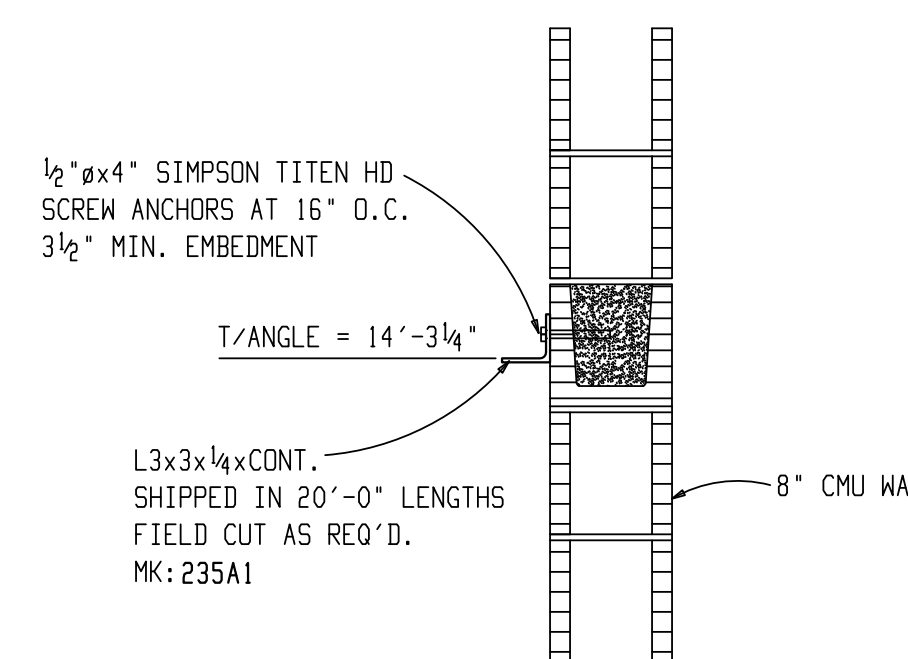
SECTION 8
REF E203



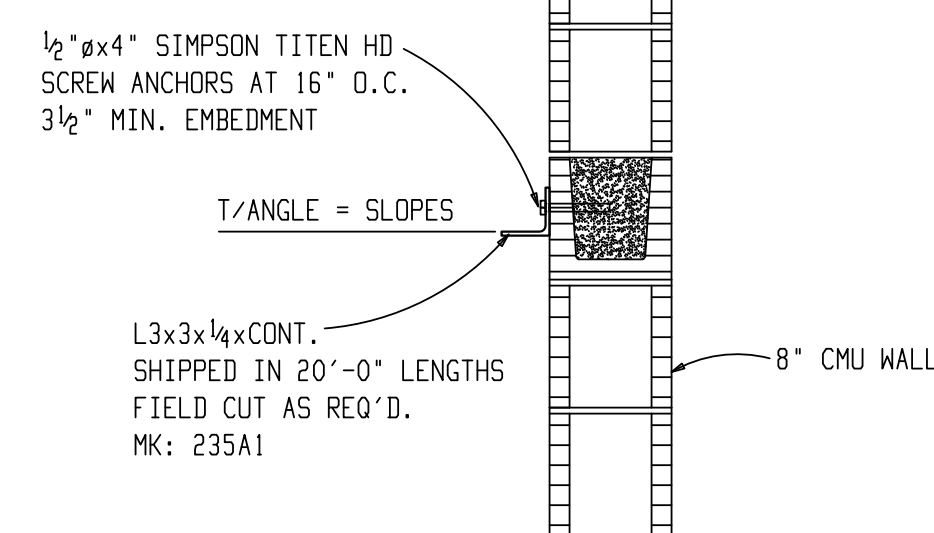
SECTION 9
REF E203



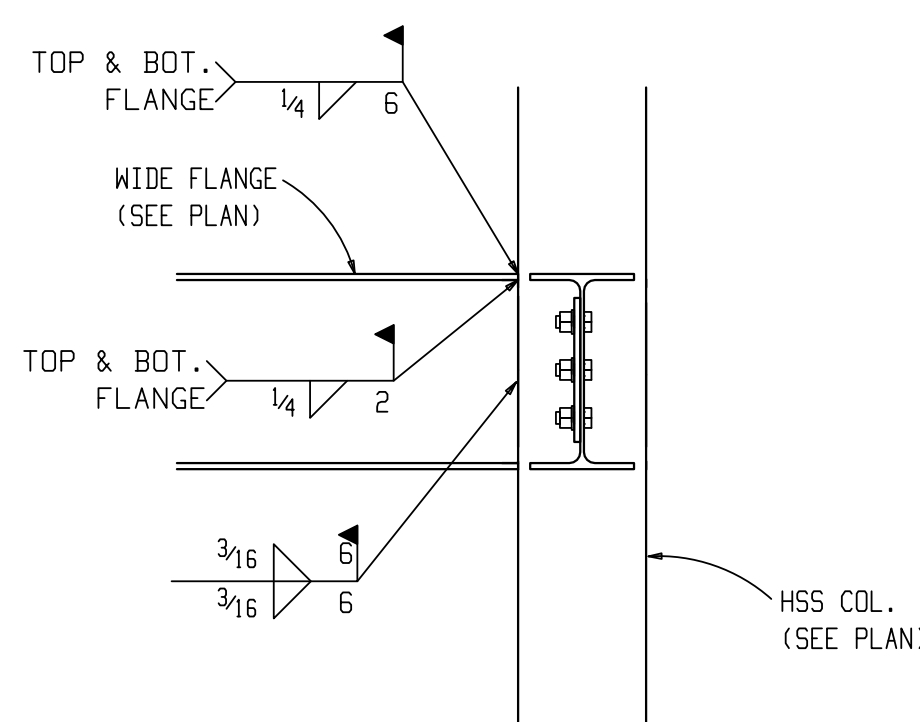
SECTION 10
REF E203



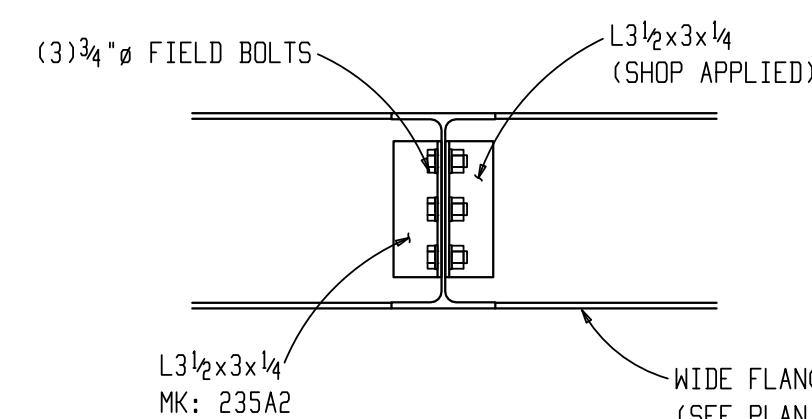
SECTION 11
REF E203



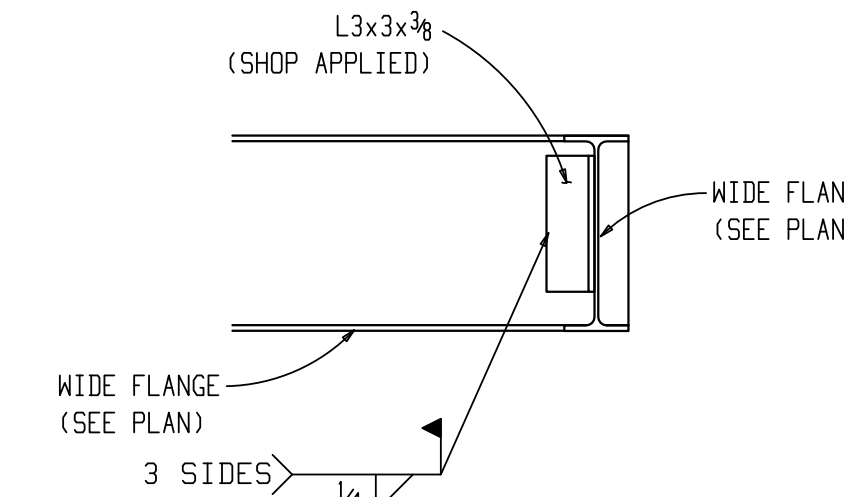
SECTION 12
REF E203



TYP. MOMENT CONN. 13
(U.N.O.) E203




SECTION 14
REF E203



SECTION 15
REF E203

NOTICE TO ERECTOR

IF ANY CORRECTIVE WORK OR REPLACEMENT MATERIAL IS BELIEVED NECESSARY, THE STEEL FABRICATOR SHALL BE IMMEDIATELY ADVISED AND HIS AUTHORIZATION OBTAINED BEFORE ANY SUCH ACTION IS TAKEN ! ! ! !

0	May 6 2019	RELEASE FOR FIELD USE
A	Feb 18 2019	ISSUE FOR APPROVAL
REV	DATE	DESCRIPTION
		
JOB		50C BUILDING 2 & 3
LOCATION		PHOENIX, AZ
DRWG. COVERS		SECTIONS/DETAILS (BUILDING 2)
DETAILER		PALMETTO STRUCTURAL DETAILING, LLC
CHECKER	McMAHAN	DATE 2-18-19
PROJECT MANAGER	DENISE GUENTHER	
JOB #	19-113	DRWG. # E203

PLOT DATE/TIME: 03 May 2019 16:50:11