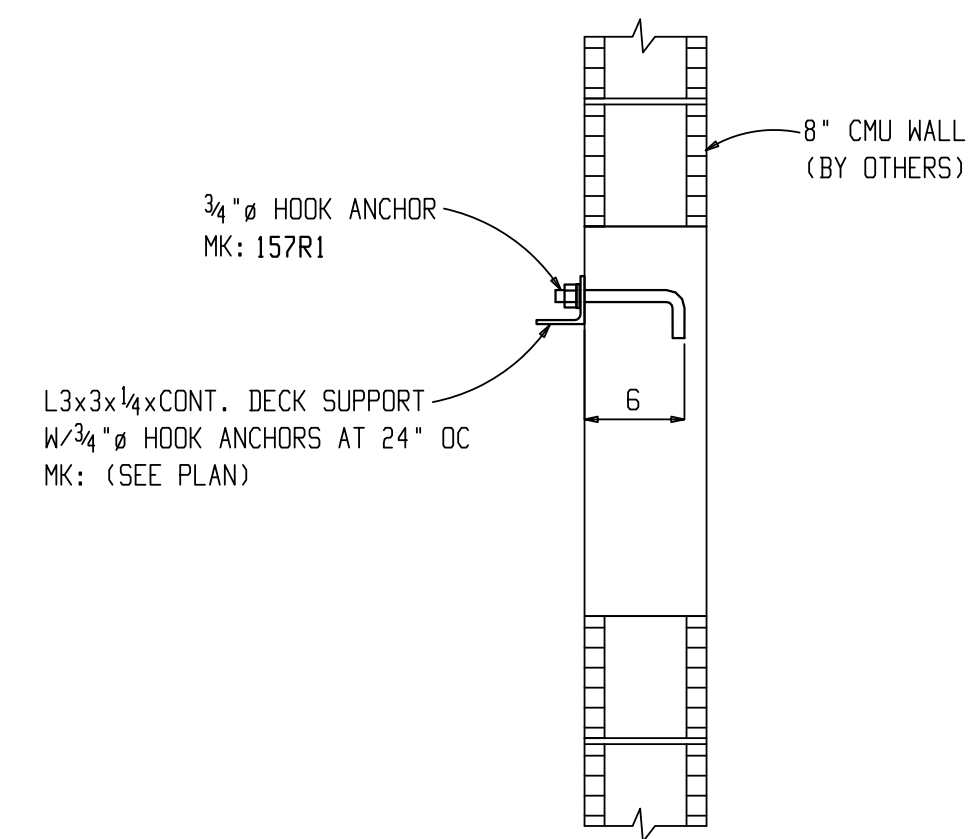
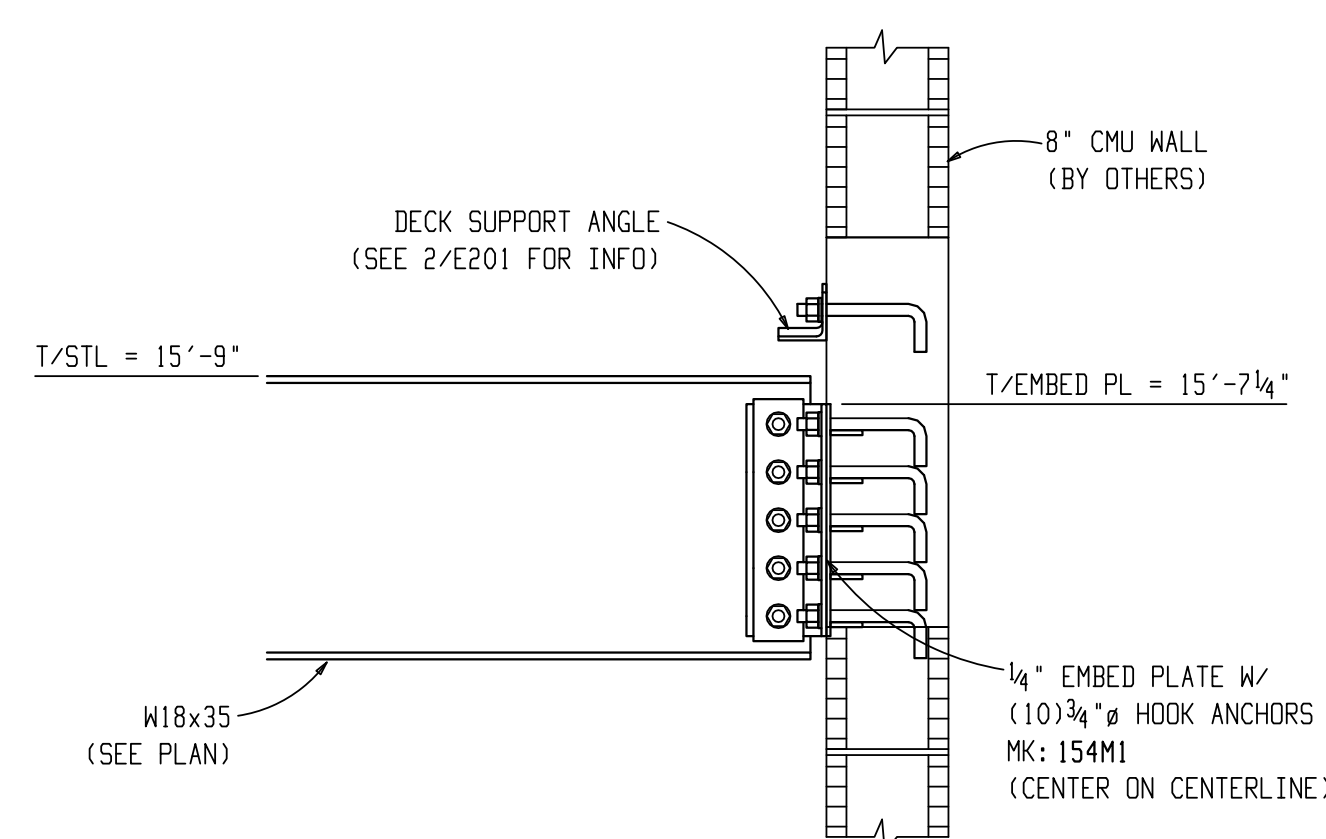


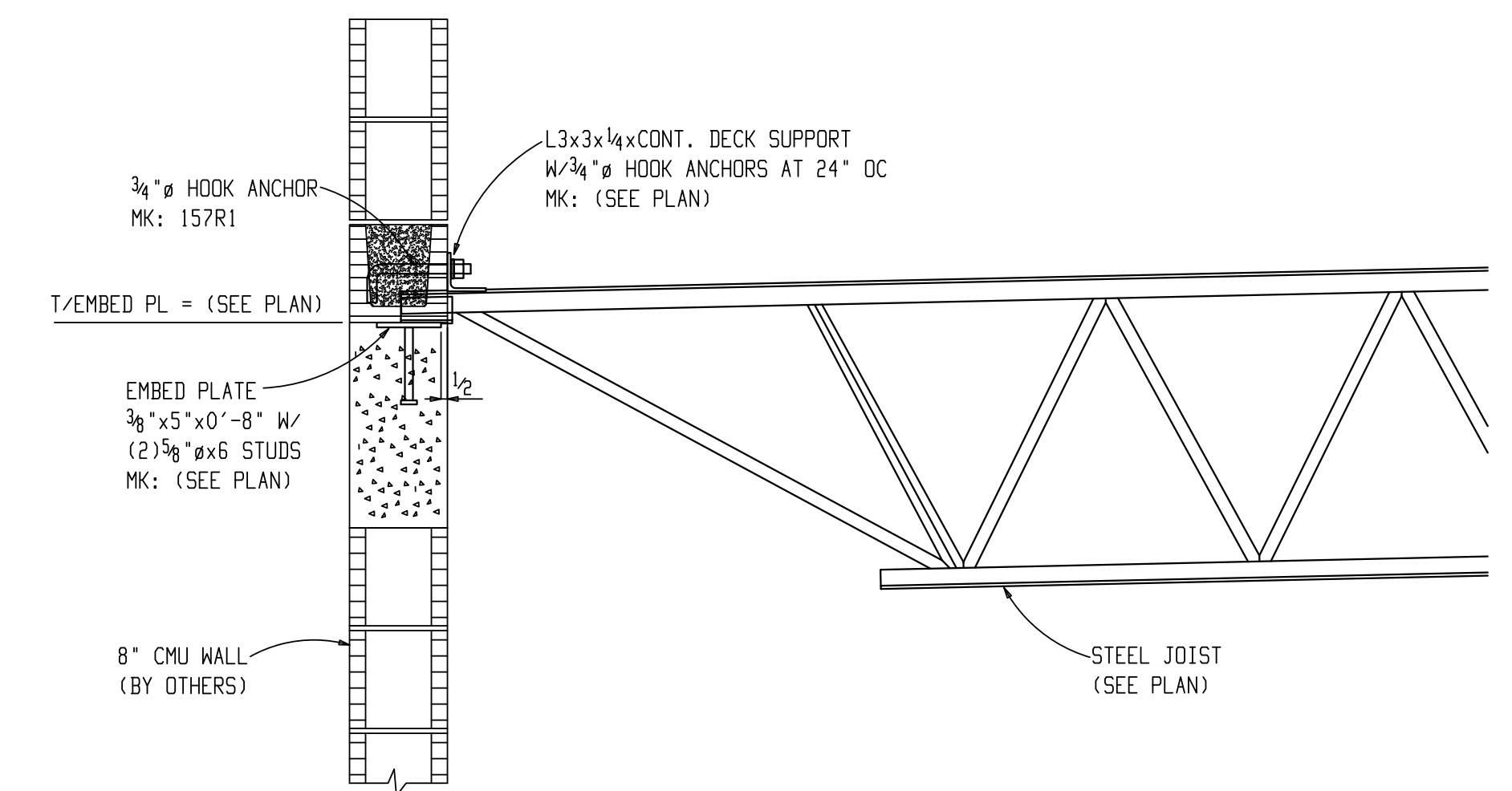
SECTION 1
REF E201



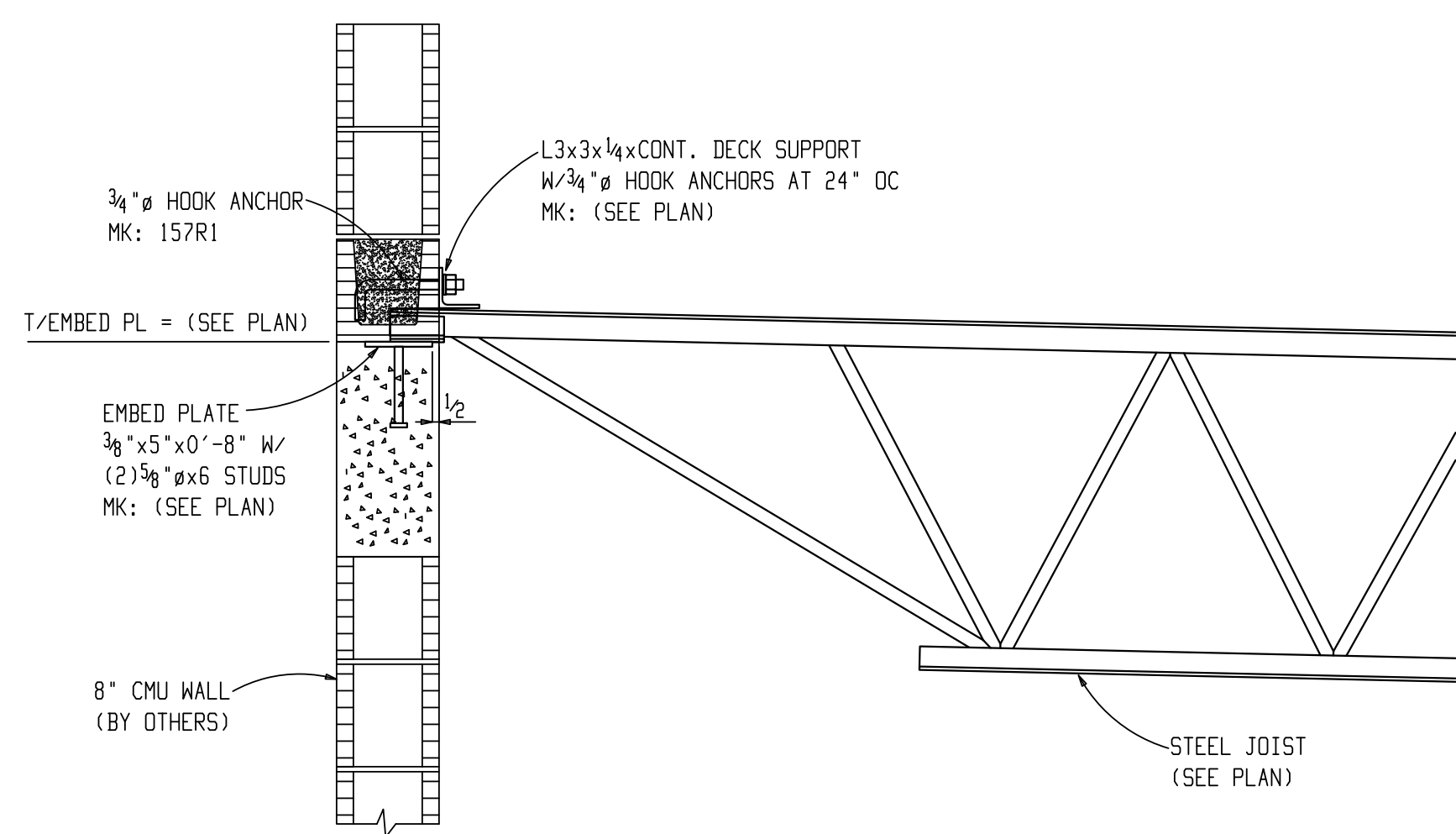
SECTION 2
REF E201



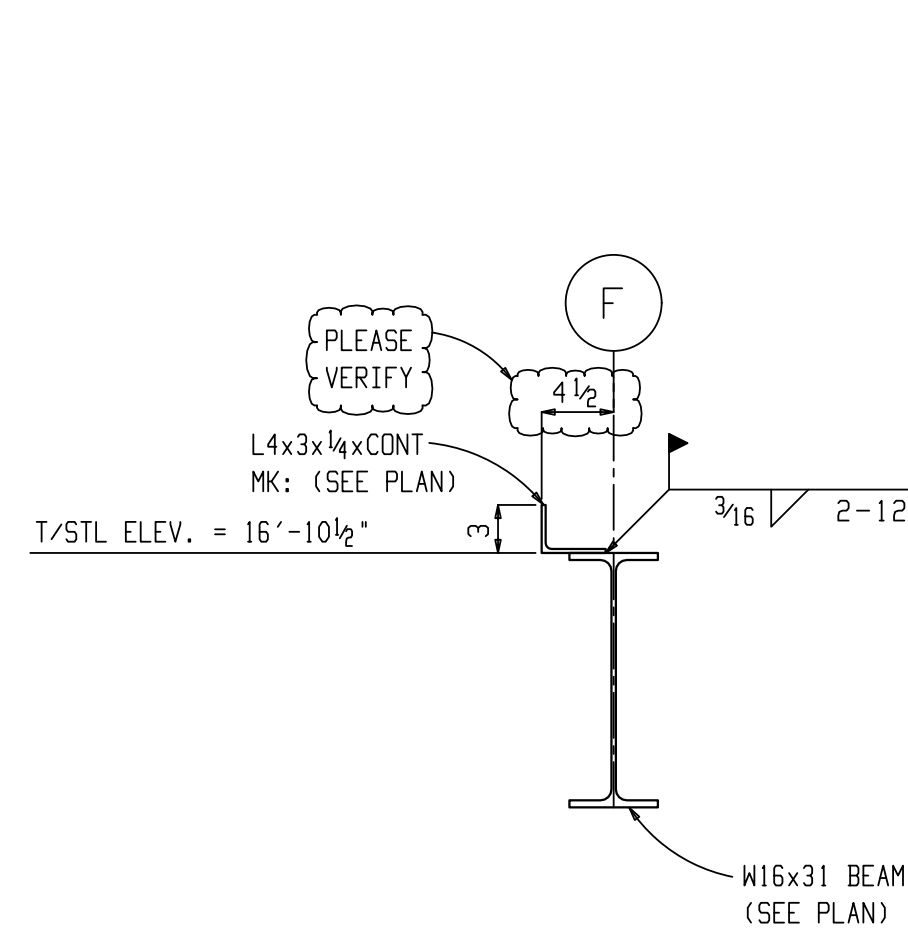
SECTION 3
REF E201



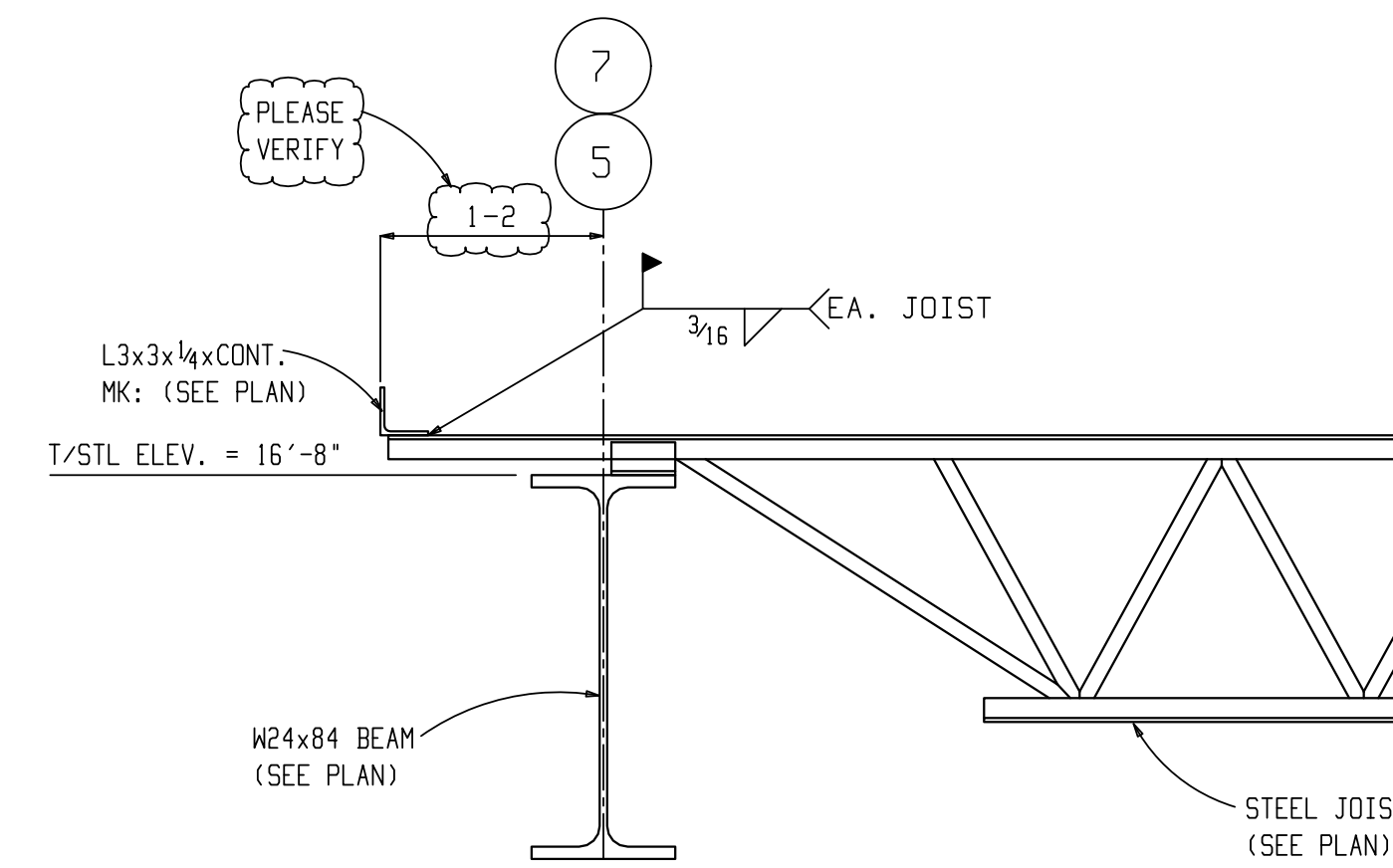
SECTION 4
REF E201



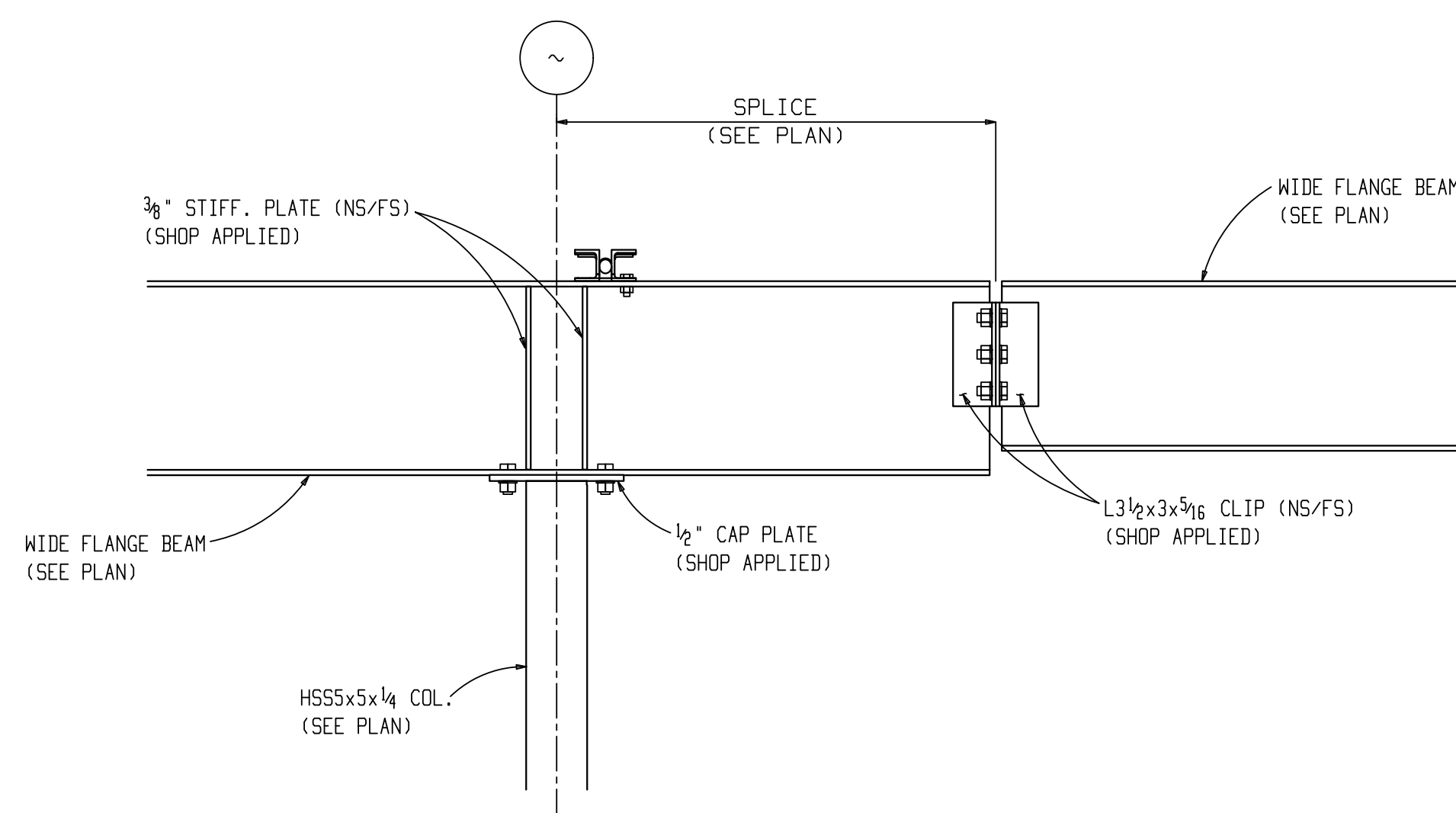
SECTION 5
REF E201



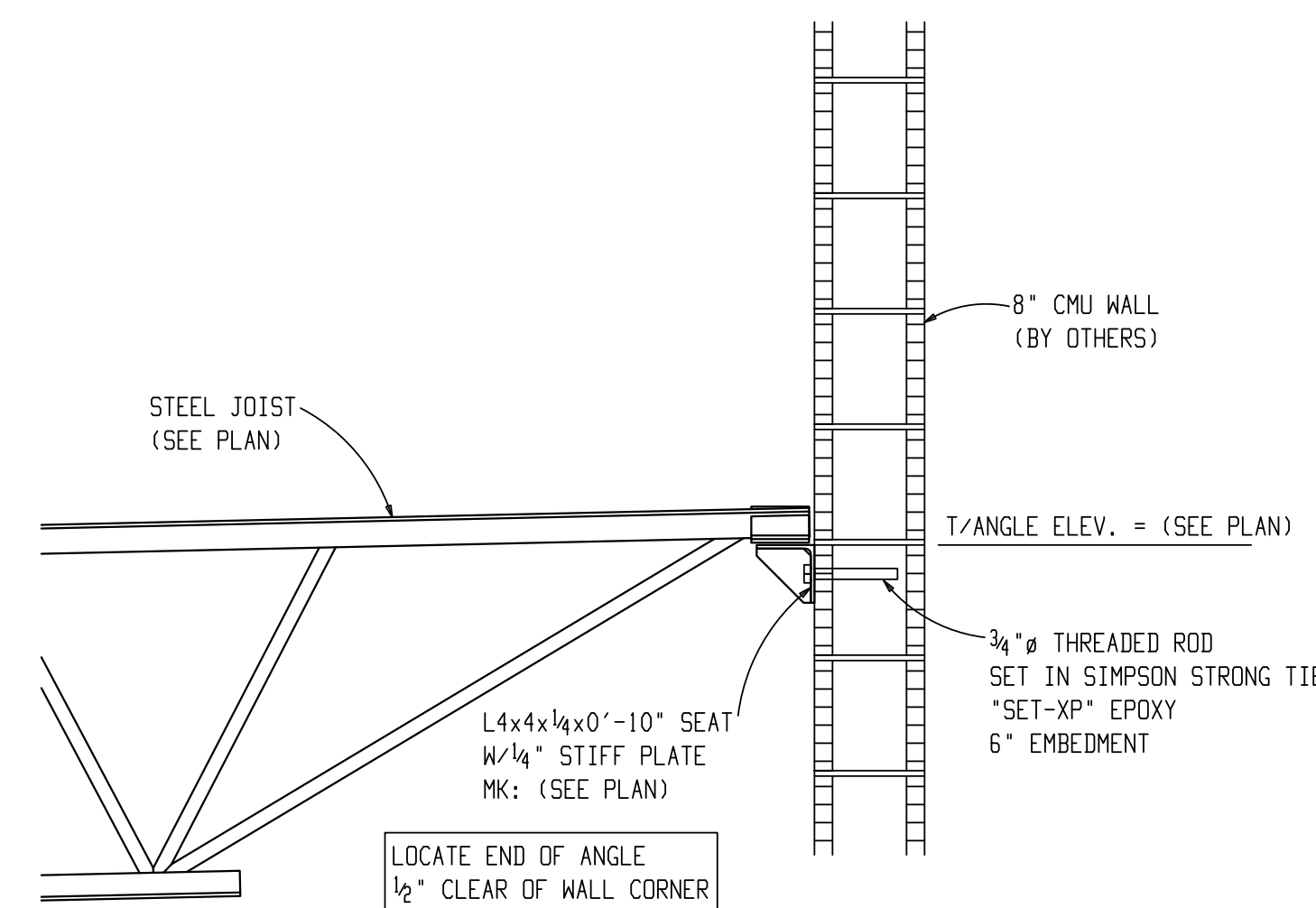
SECTION 6
REF E201



SECTION 7
REF E201



SECTION 8
REF E201



SECTION 9
REF E201

REV	DATE	DESCRIPTION
A	Apr 21 2020	ISSUE FOR APPROVAL

SPECIALTY FABRICATION & WELDING, INC.
 680 Goodbar Ave. Office: 352-669-9353
 Umatilla, FL 32784 Fax: 352-669-9354

JOB: CVI MEDICAL BUILDING
 LOCATION: OCALA, FLORIDA
 DRWG. COVERS: SECTIONS/DETAILS
 DETAILER: PALMETTO STRUCTURAL DETAILING, LLC
 CHECKER: McMAHAN DATE: 4-20-20
 PROJECT MANAGER: MICHAEL PURVIS

JOB #: 20-84-1
 DRWG. #: E201

PLOT DATE/TIME: 21 Apr 2020 12:40:38