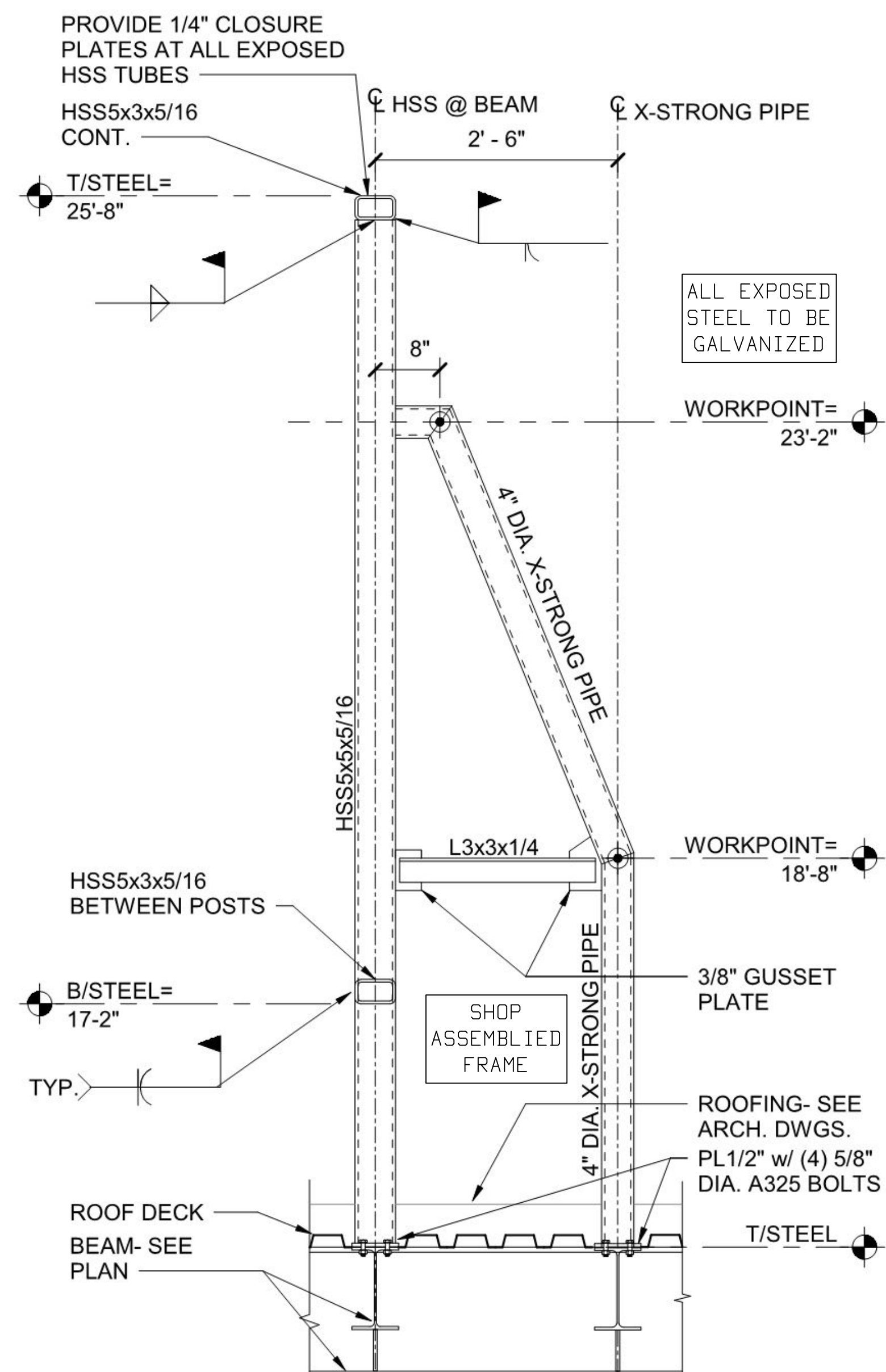
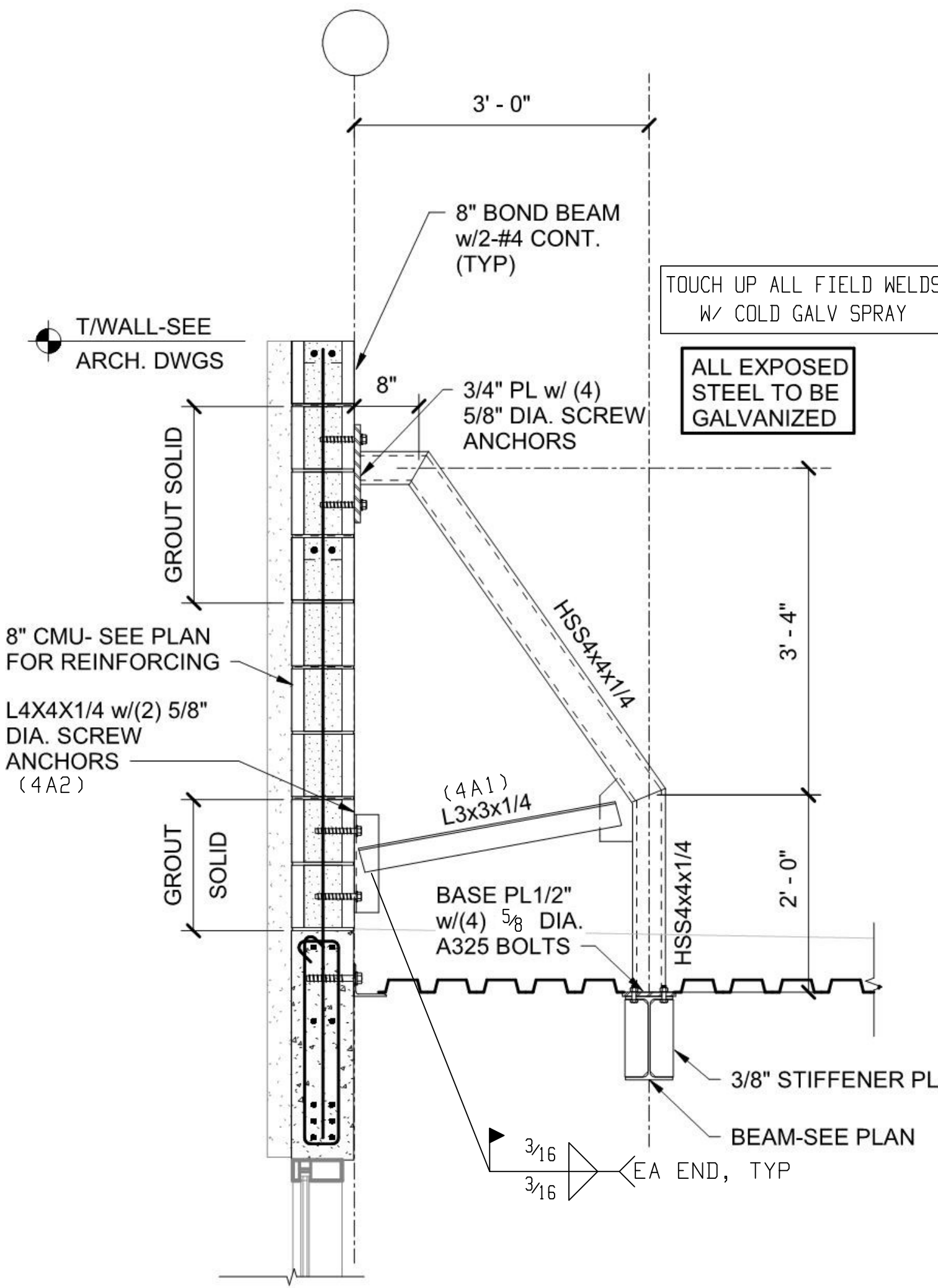


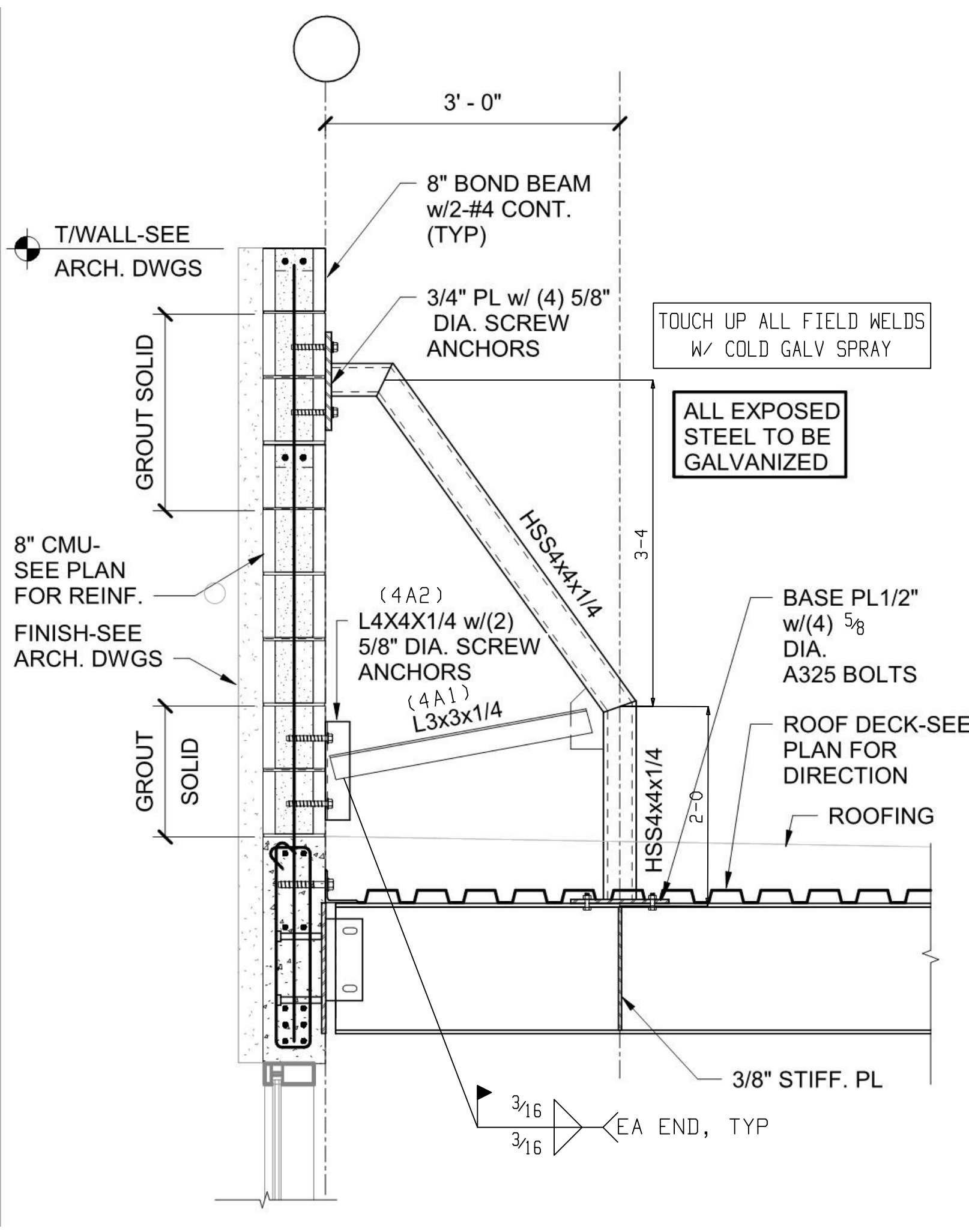
SECTION 4  
E12



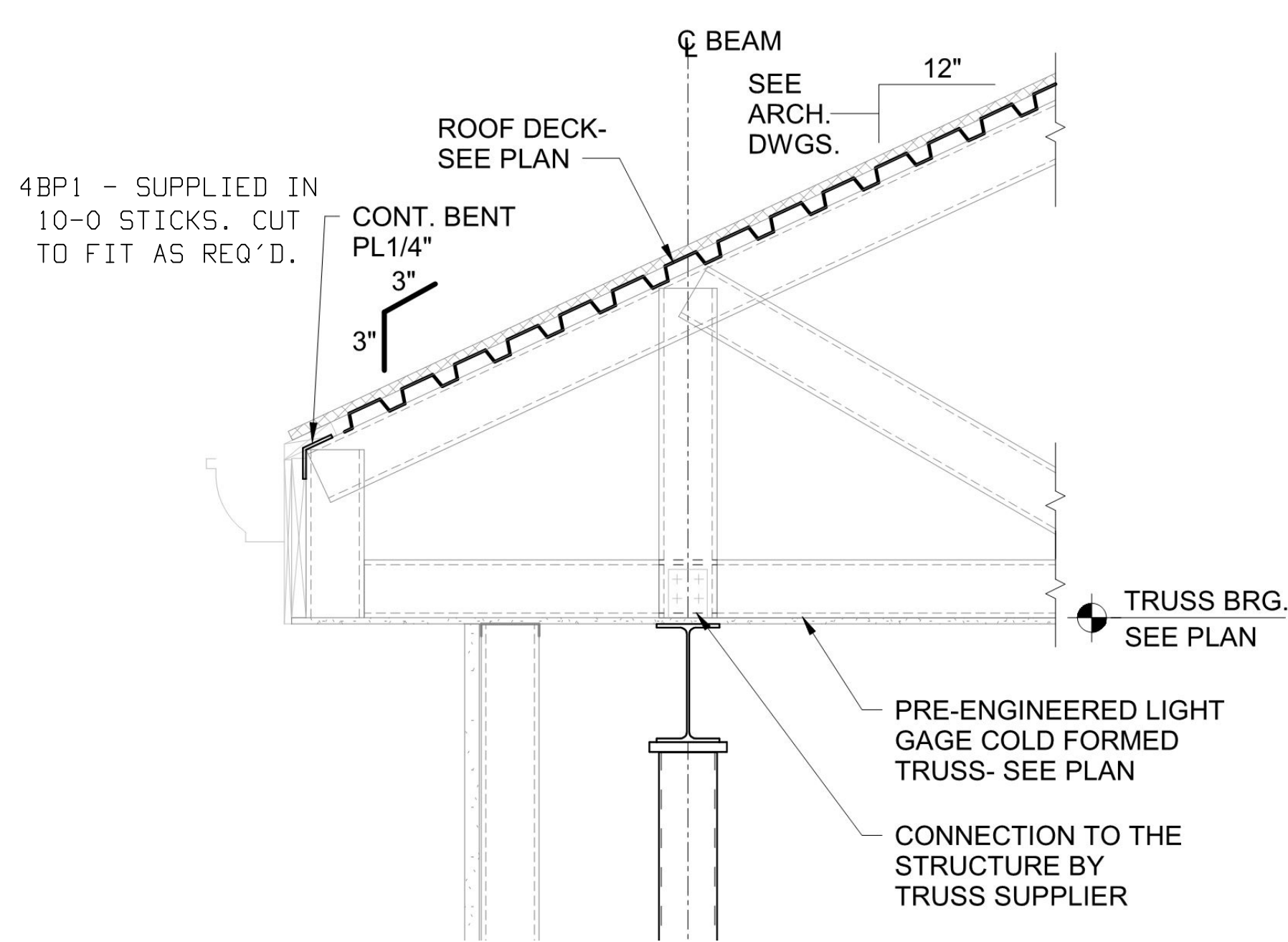
SECTION 6  
E12



SECTION 8  
E12



SECTION 9  
E12



SECTION 10  
E12

REV	DATE	DESCRIPTION
0	Apr 22 2020	ISSUE FOR FIELD USE
A	Mar 16 2020	ISSUE FOR APPROVAL

SOUTHERN STRUCTURAL STEEL OF FLORIDA, INC. 1000 31st ST. SOUTH ST. PETERSBURG, FL 33712	
STRUCTURE:	CHAMPIONSGATE FREESTANDING EMERGENCY DEPARTMENT
LOCATION:	CHAMPIONSGATE BLVD, POLK COUNTY, FL
CONTR/CUST:	THE PHM GROUP - BRADENTON, FL
ARCH/ENG:	HEREFORD. DOOLEY ARCHITECTS / STRUCTURAL DESIGN GROUP, INC
DESCRIPTION:	ERECTION SECTIONS
DETAILER:	J. MILLER
DATE:	3-12-20
JOB NO.:	20006E
SHEET NO.:	E12
REV.:	0
CHECKER:	J. MCMAHAN
DATE:	4-15-20

PLOT DATE/TIME: Apr 2020 10:53:01 AM