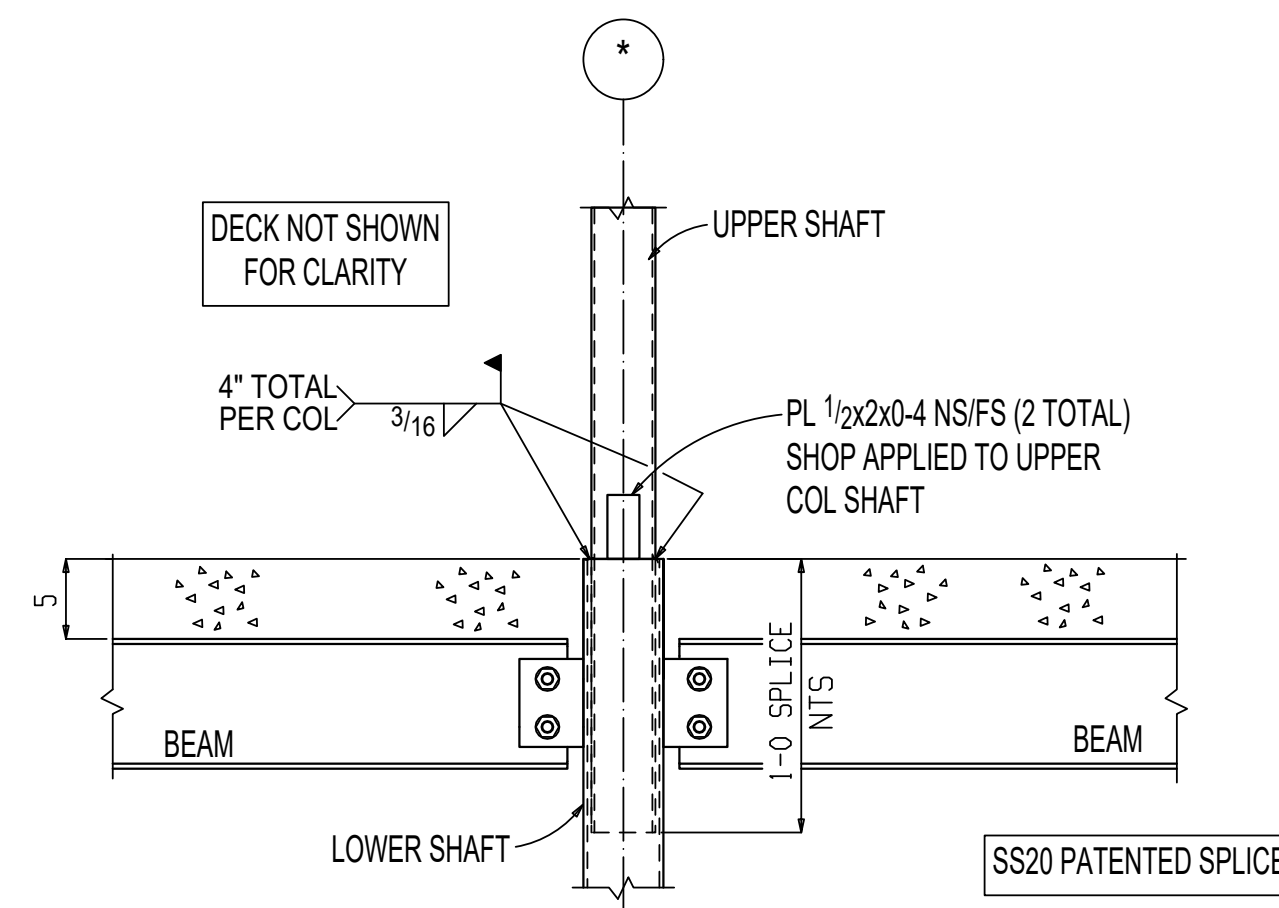


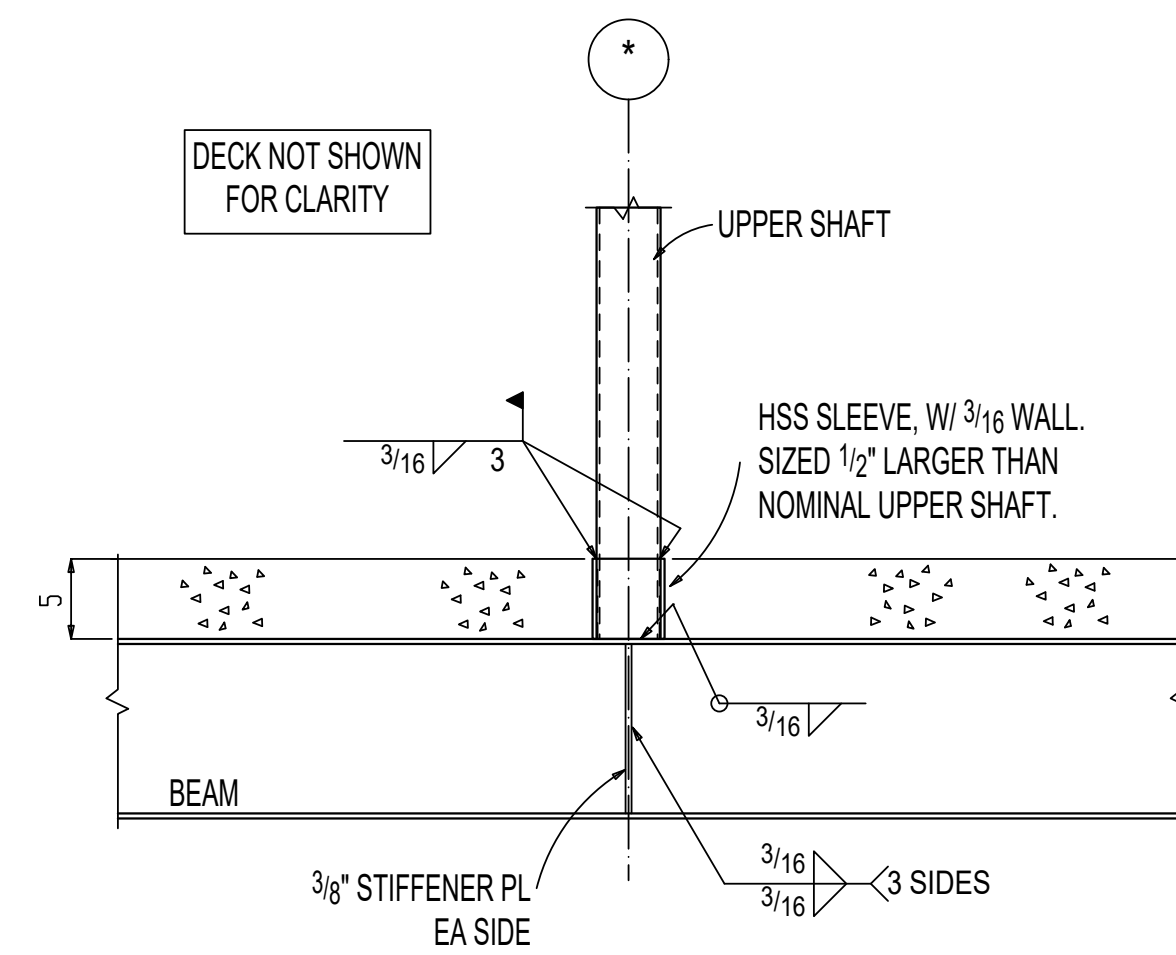
THIS SPLICE OCCURS AT 2ND FLR ONLY, WHERE UPPER AND LOWER SHAFT ARE SAME NOMINAL SIZE (LxW)

COLUMN SPLICE CONNECTION 1A
E11

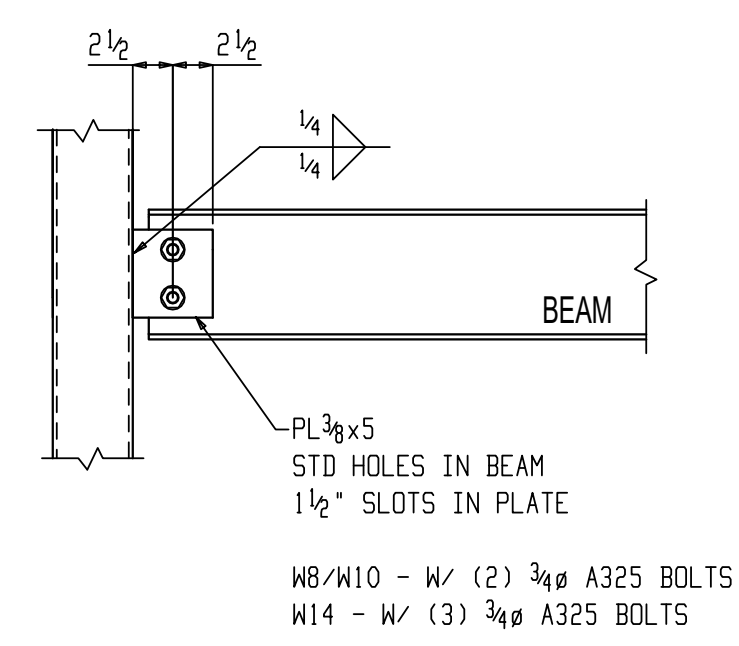


THIS SPLICE OCCURS AT ALL LOCATIONS WHERE UPPER AND LOWER SHAFTS ARE DIFFERENT BY 1/2\"/>

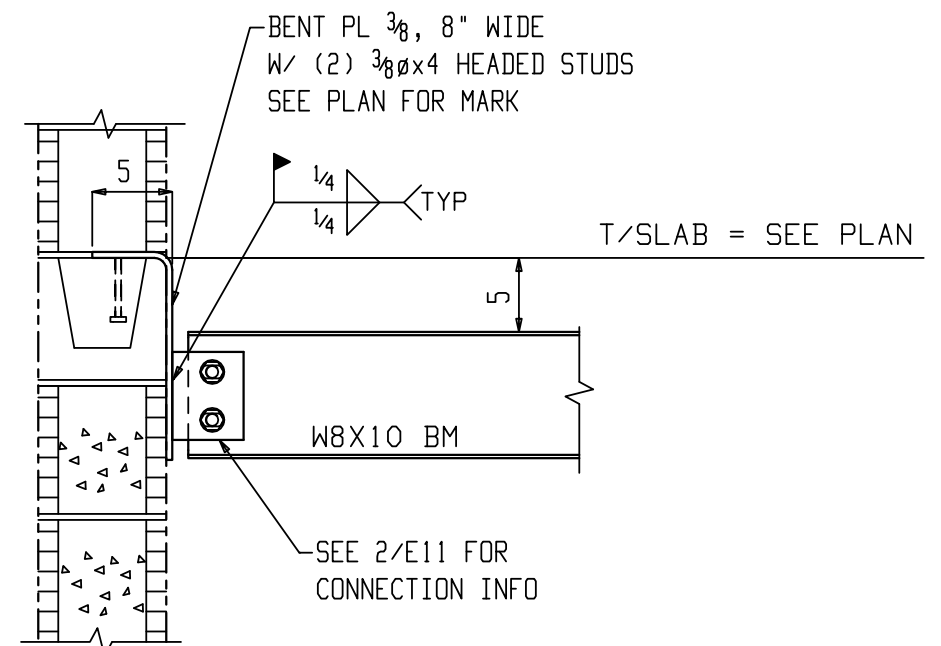
COLUMN SPLICE CONNECTION 1B
E11



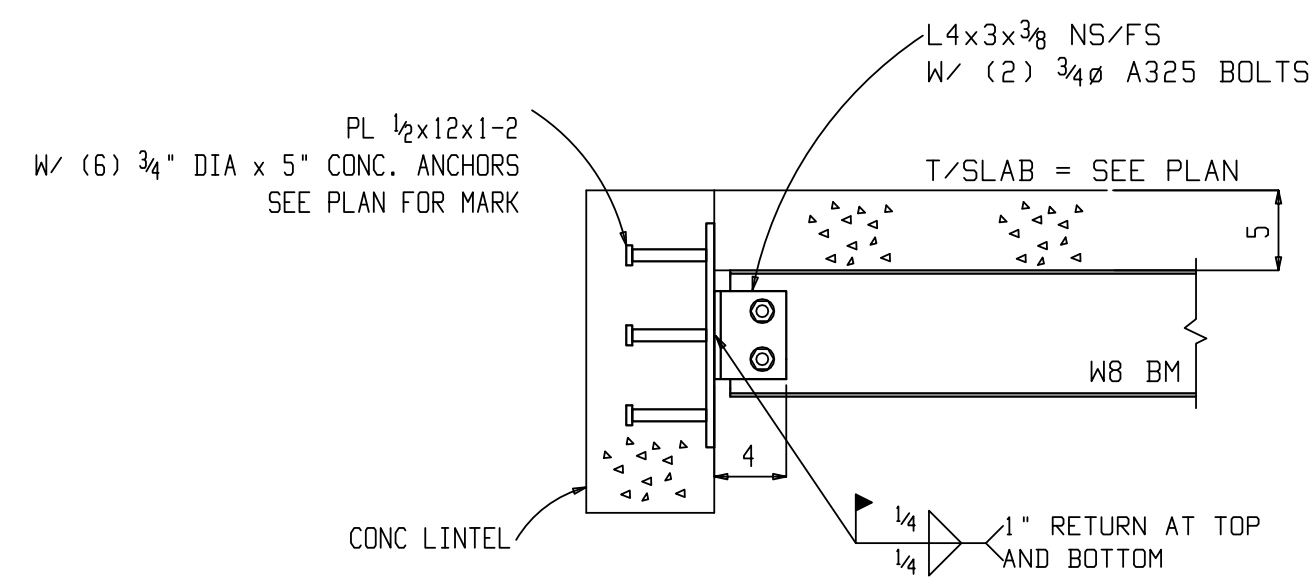
COLUMN SPLICE CONNECTION 1C
E11



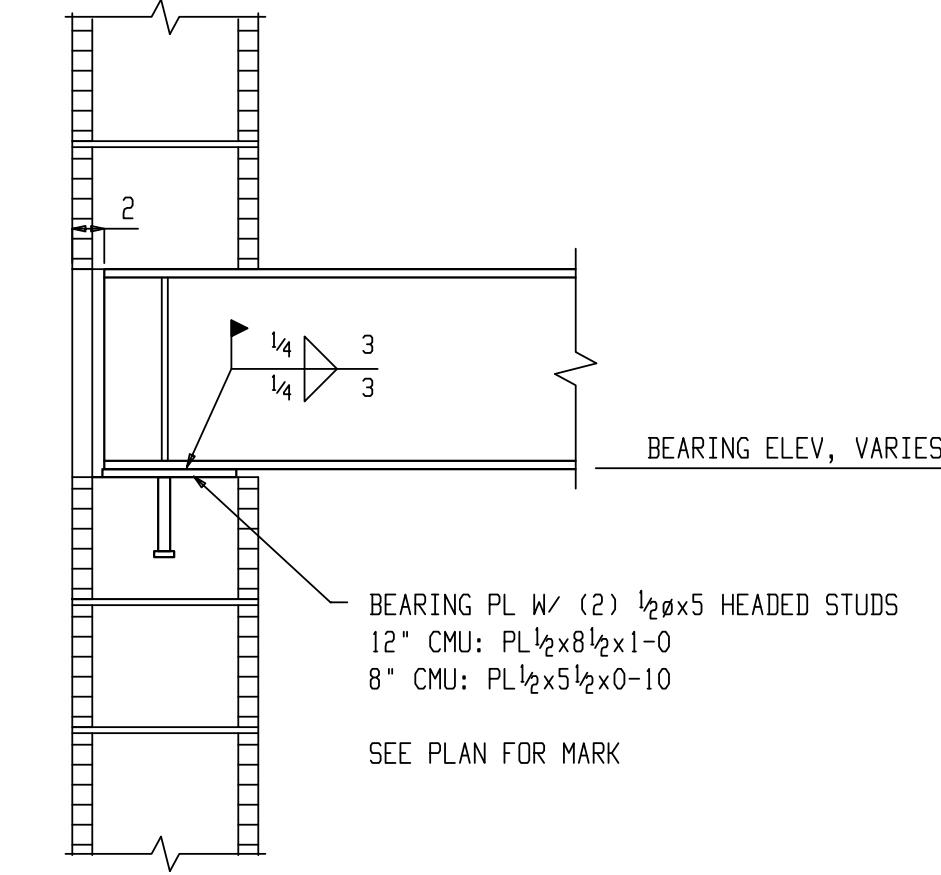
TYPICAL BEAM TO COLUMN CONNECTION 2
E11



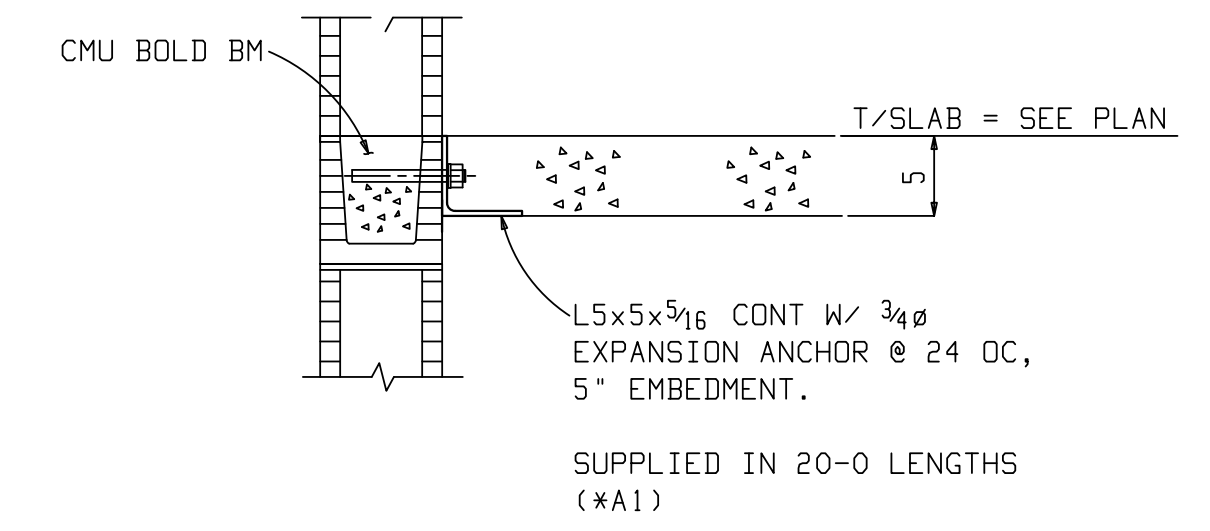
TYP W8 ATTACHMENT TO CMU WALL @ FLOOR 3
E11



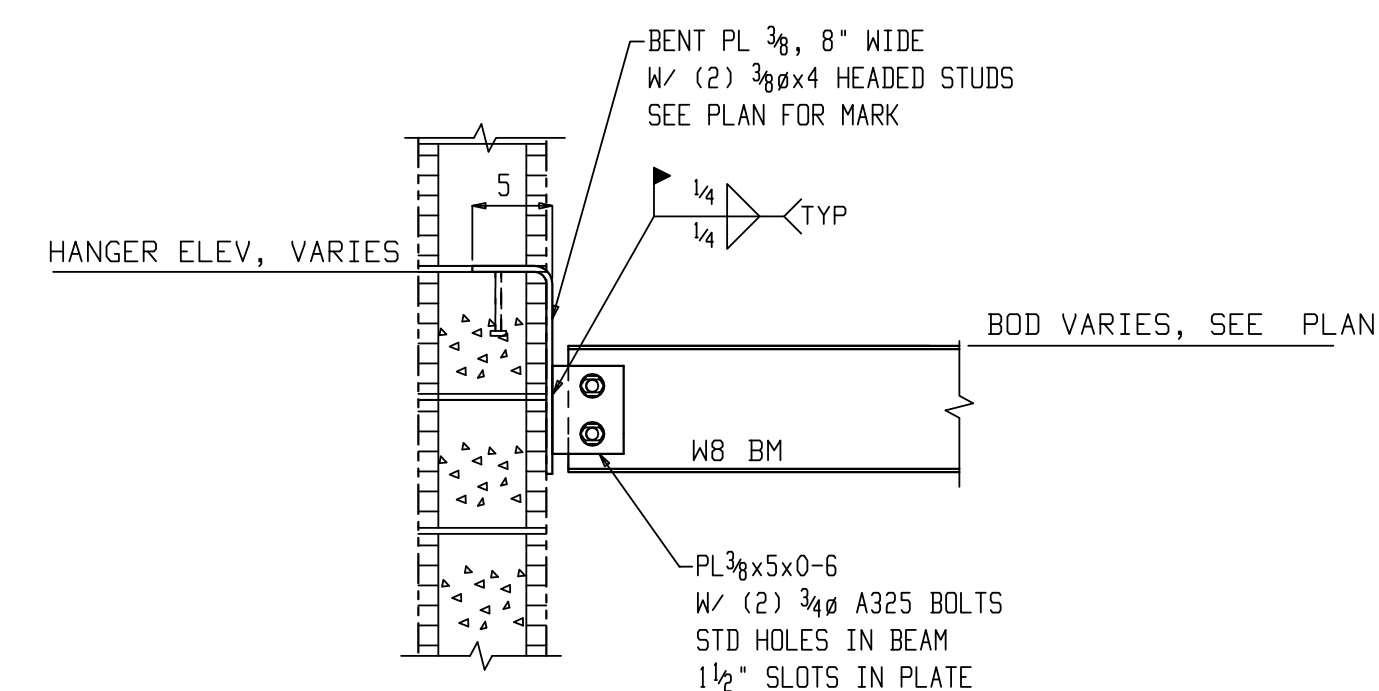
BM ATTACHMENT AT CONCRETE LINTEL 4
E11



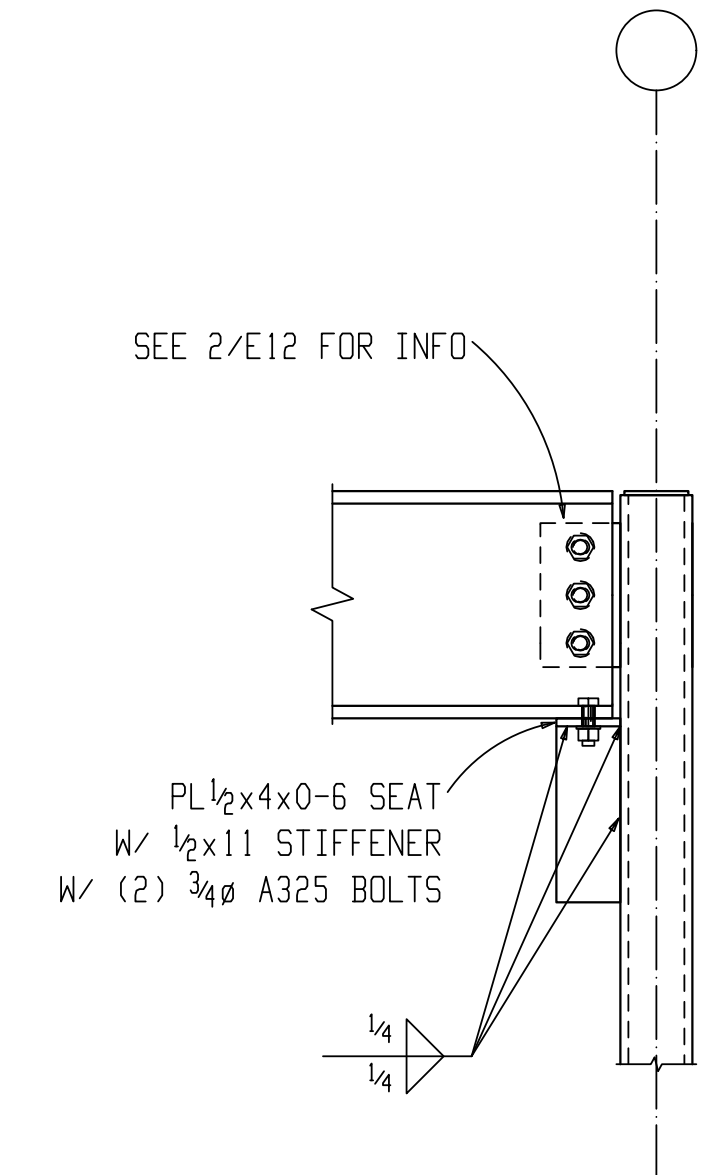
BM ATTACHMENT AT BEARING PL 5
E11



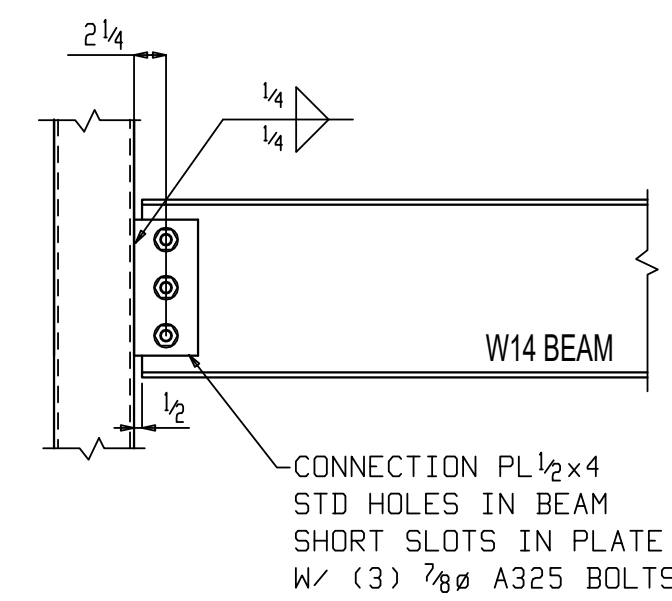
TYP LEDGER ANGLE TO CMU WALL 6
E11



TYP W8 ATTACHMENT TO CMU WALL @ ROOF 7
E11



SECTION 8
E11



SECTION 9
E11

REV.	DATE	DESCRIPTION
O	10-10-19	RELEASED FOR FIELD USE
A	8-14-19	ISSUE FOR APPROVAL

SPECIALTY FABRICATION & WELDING, INC.
 680 Goodbar Ave. Office: 352-669-9353
 Umatilla, FL 32784 Fax: 352-669-9354

JOB: ATLANTIC SELF STORAGE - (FLAGLER PARCEL 8)
 LOCATION: JACKSONVILLE, FL

DRWG. COVERS: TYPICAL CONNECTIONS
 DETAILER PALMETTO STRUCTURAL DETAILING, LLC
 CHECKER MILLER DATE _____ JOB # 19-56 DRWG. # E11
 PROJECT MANAGER MICHAEL PURVIS

PLOT DATE/TIME: 10 Oct 2019:26:51