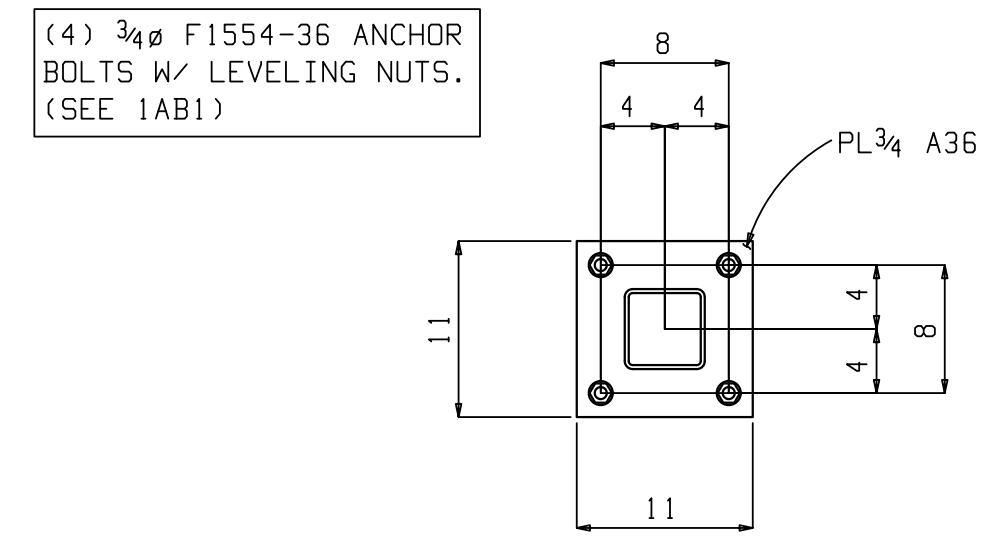


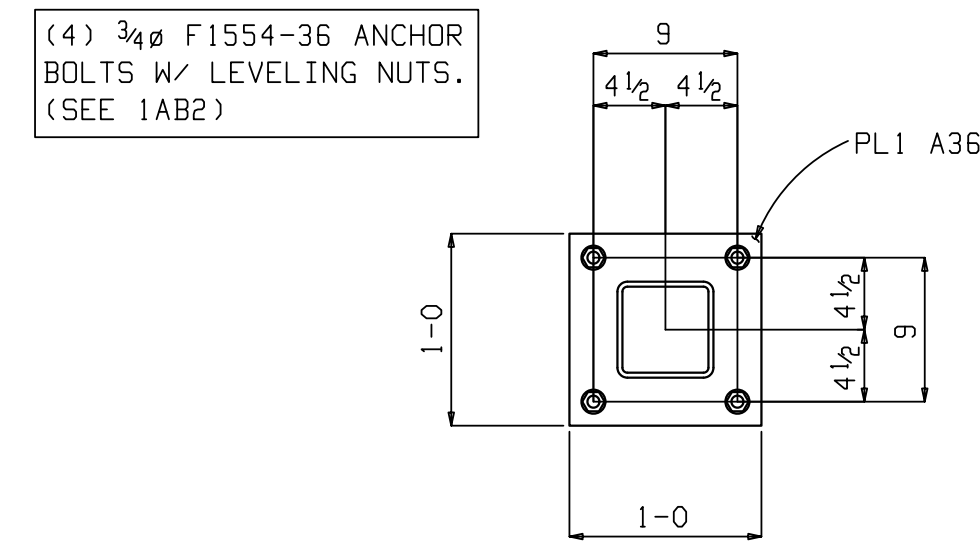
(4) 3/4" F1554-36 ANCHOR BOLTS W/ LEVELING NUTS. (SEE 1AB1)

**COLUMN ANCHOR LAYOUT** BP1  
 ROTATION MAY VARY, SEE PLAN  
6 LOCATIONS



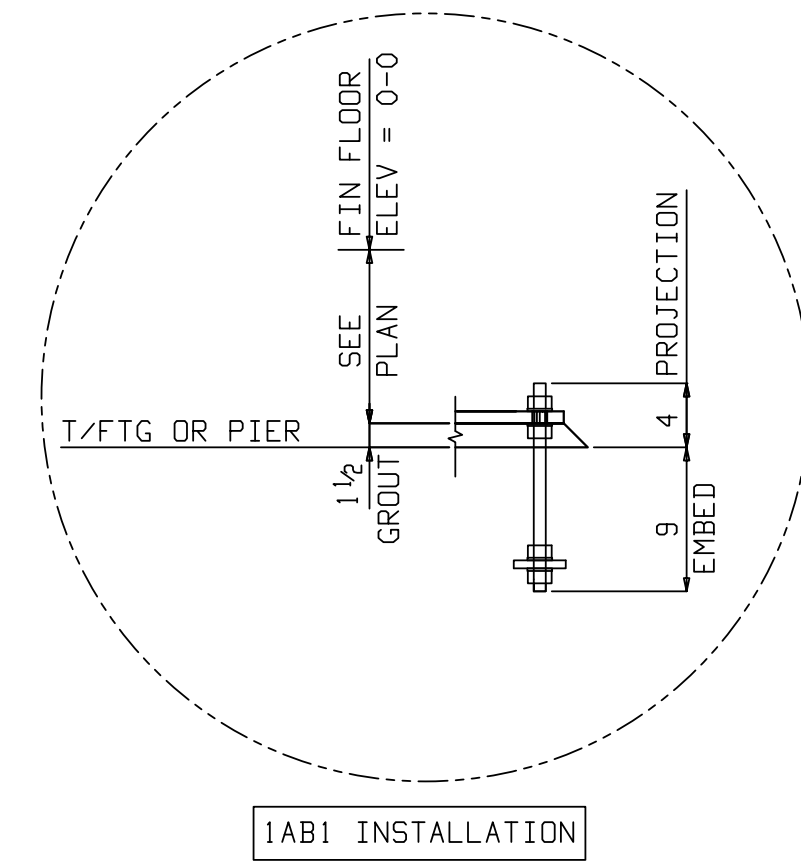
(4) 3/4" F1554-36 ANCHOR BOLTS W/ LEVELING NUTS. (SEE 1AB1)

**COLUMN ANCHOR LAYOUT** BP2  
 ROTATION MAY VARY, SEE PLAN  
8 LOCATIONS

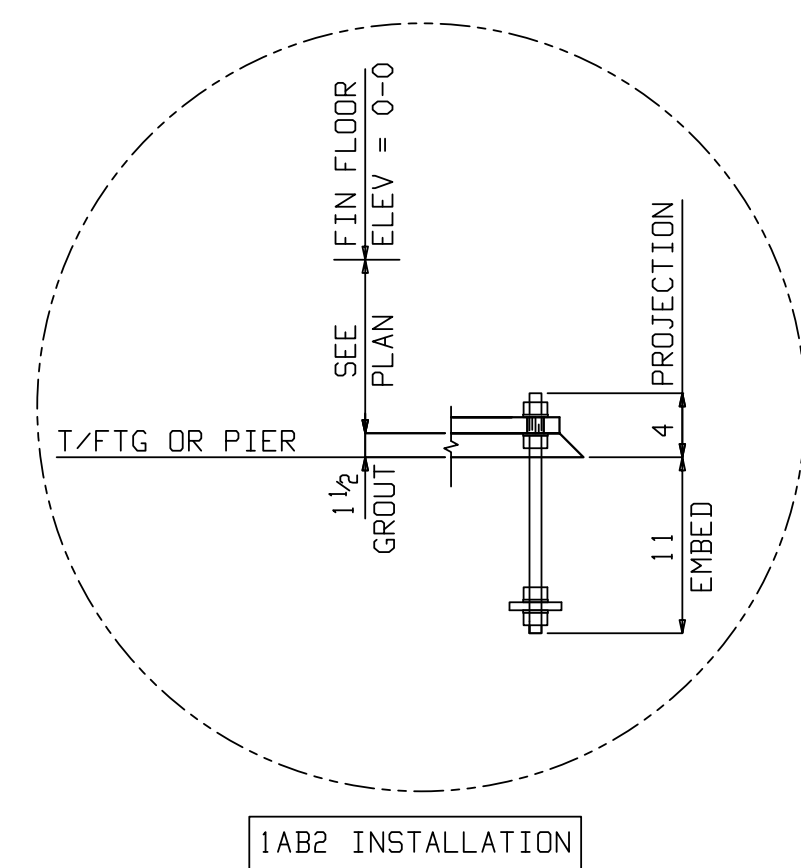


(4) 3/4" F1554-36 ANCHOR BOLTS W/ LEVELING NUTS. (SEE 1AB2)

**COLUMN ANCHOR LAYOUT** BP3  
 ROTATION MAY VARY, SEE PLAN  
2 LOCATIONS



1AB1 INSTALLATION



1AB2 INSTALLATION

A	Apr 21 2020	ISSUE FOR APPROVAL
REV	DATE	DESCRIPTION
<b>SPECIALTY FABRICATION &amp; WELDING, INC.</b>		
680 Goodbar Ave. Office: 352-669-9353 Umatilla, FL 32784 Fax: 352-669-9354		
JOB: CVI MEDICAL BUILDING		
LOCATION: OCALA, FLORIDA		
DRWG. COVERS: COLUMN ANCHOR BOLT SETTING PLAN		
DETAILER	PALMETTO STRUCTURAL DETAILING, LLC	JOB #
CHECKER	McMAHAN DATE 4-13-20	20-84-1
PROJECT MANAGER	MICHAEL PURVIS	AP102

PLOT DATE/TIME: 21 Apr 2020 12:40:35