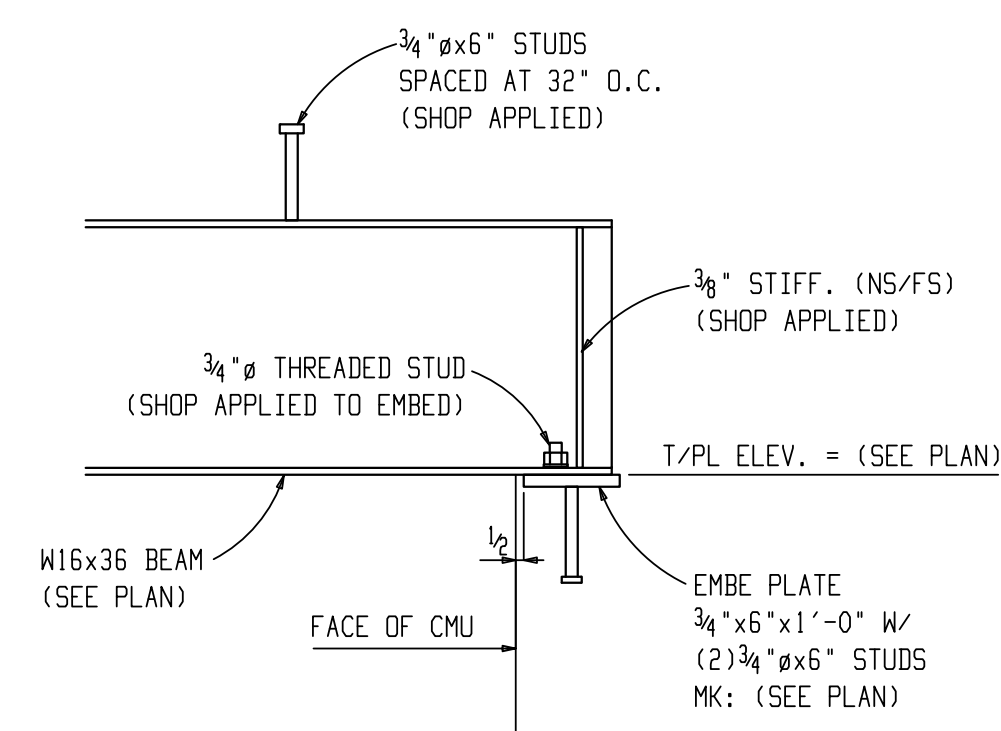
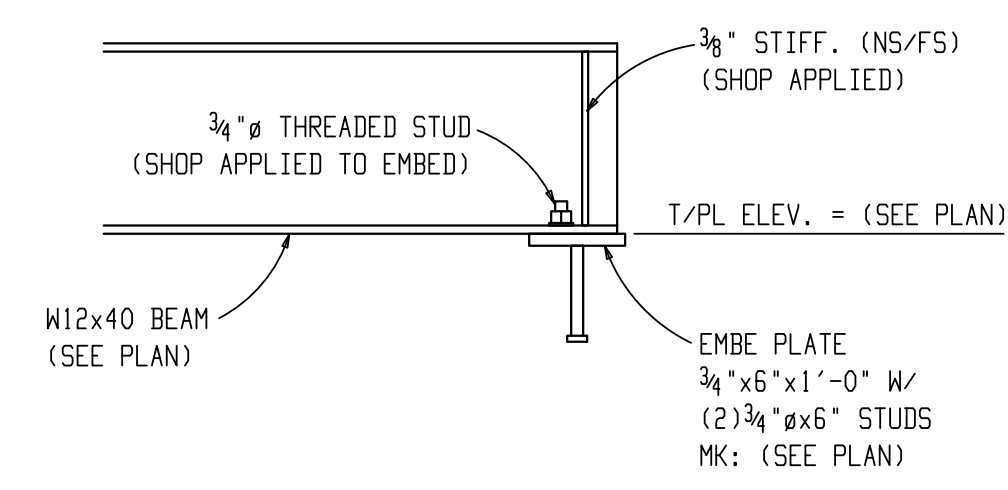


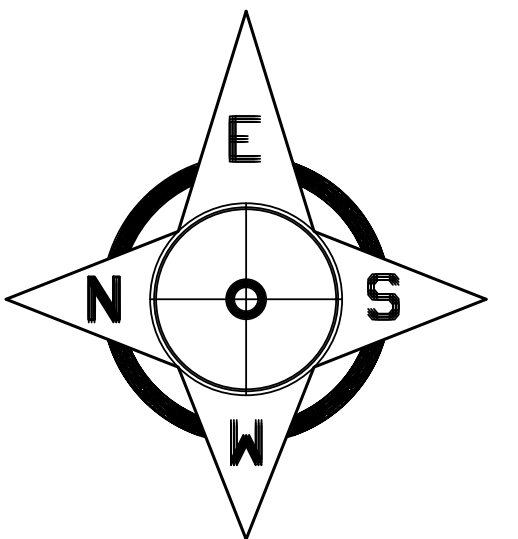
EMBED PLACEMENT PLAN 1  
BUILDING 2 AE201



SECTION 2  
REF AE201




SECTION 3  
REF AE201



FOR ERECTION ONLY

**\*NOTICE TO ERECTOR\***

IF ANY CORRECTIVE WORK OR REPLACEMENT MATERIAL IS BELIEVED NECESSARY, THE STEEL FABRICATOR SHALL BE IMMEDIATELY ADVISED AND HIS AUTHORIZATION OBTAINED BEFORE ANY SUCH ACTION IS TAKEN ! ! ! !

0	May 6 2019	RELEASE FOR FIELD USE
A	Feb 18 2019	ISSUE FOR APPROVAL
REV	DATE	DESCRIPTION
		2427 DALLAS AVE. APACHE JUNCTION, AZ 85120 PH: 480-671-5730 FX: 480-983-6802
JOB 50C BUILDING 2 & 3		
LOCATION PHOENIX, AZ		
DRWG. COVERS EMBED PLATE PLACEMENT PLAN - BUILDING 2		
DETAILER	PALMETTO STRUCTURAL DETAILING, LLC	JOB #
CHECKER	McMAHAN	DATE 2-16-19
PROJECT MANAGER	DENISE GUENTHER	19-113
		AE201

PLOT DATE/TIME: 05 May 2019 13:34:58