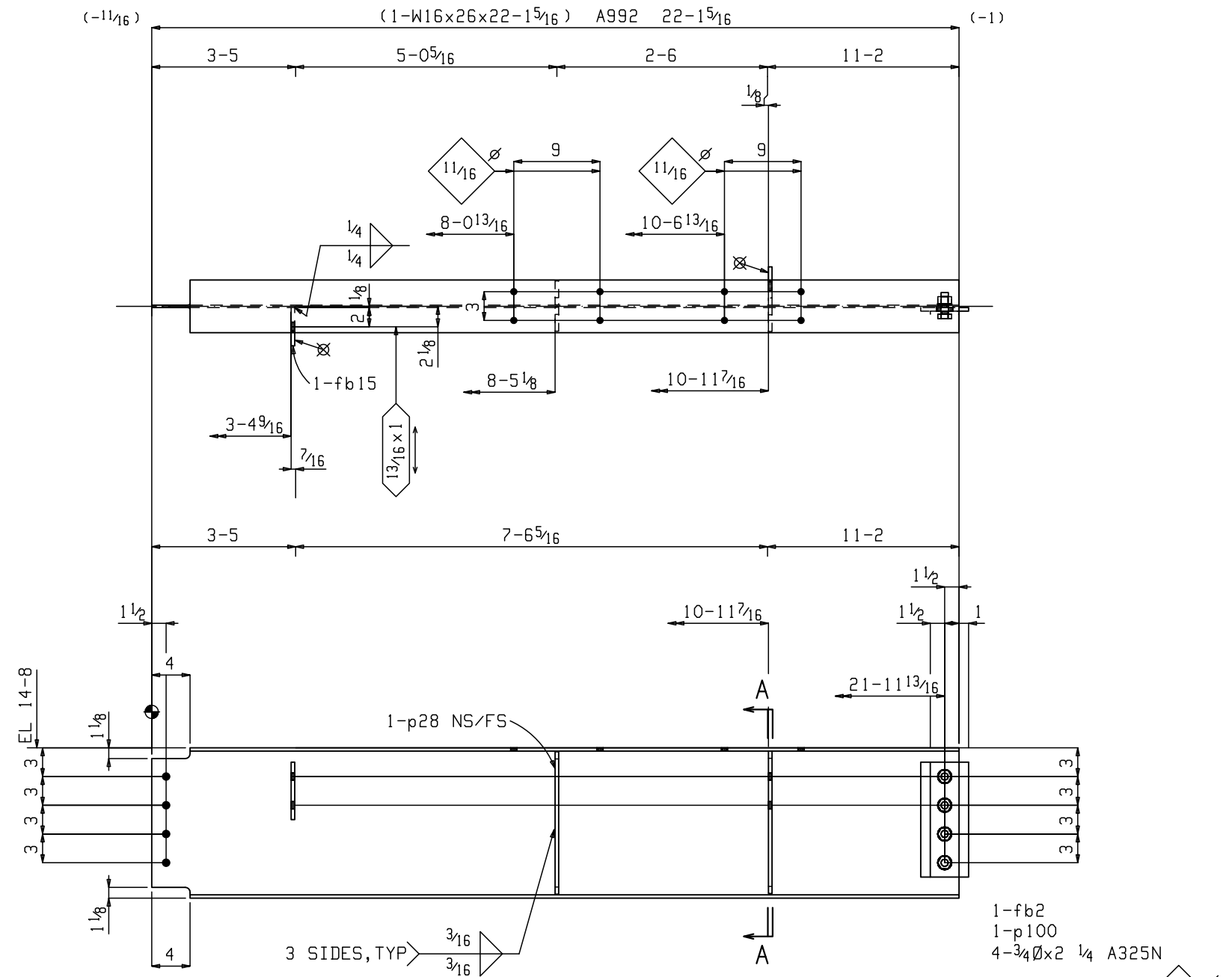


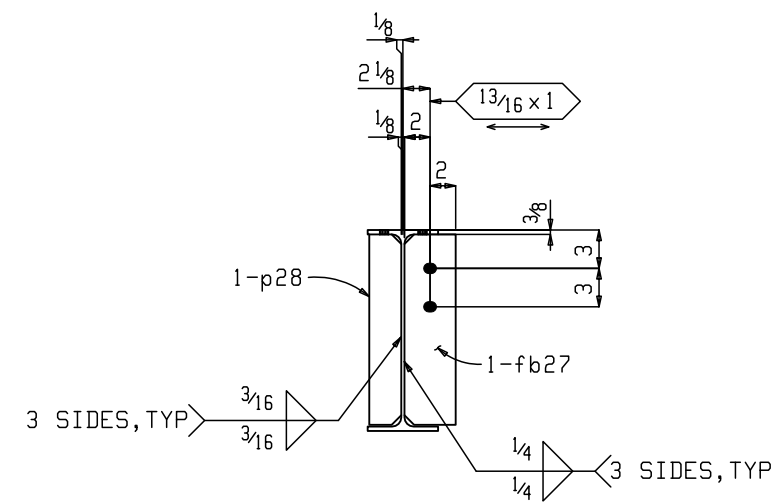
SHOP INSTALLED BOLTS
TO BE STANDARD HEX HEADED,
INSTALLED SNUG TIGHT ONLY.
DO NOT USE TC. DO NOT TORQUE.



ONE BEAM 3B17

| | |
|---|----------------|
| W | 15 11/16 x 1/4 |
| F | 5 1/2 x 3/8 |
| K | 1 1/16 x 13/16 |

- 1-fb2
 - 1-p100
 - 4-3/4" x 2 1/4" A325N
- IN SHEAR TAB IN BM AND PL WASHER



Section A-A
3B17

BILL OF MATERIAL

| QTY | PC | MATERIAL | LENGTH | GRADE | REMARKS | Weight | ABM |
|-------|------|-------------|--------|--------|---------|--------|-----------|
| TOTAL | MARK | DESCRIPTION | | | | Total | # |
| ONE | | BEAM | | | | 601 | |
| 1 | 3B17 | W16x26 | 22 | 1 5/16 | A992 | 569 | |
| 1 | fb2 | FB3/8x5 | 1 | 0 | A36 | 6 | |
| 1 | fb27 | FB3/8x4 | 1 | 2 7/8 | A36 | 6 | |
| 1 | fb15 | FB3/8x4 | 0 | 6 | A36 | 2 | |
| 3 | p28 | PL3/8x2 1/2 | 1 | 2 7/8 | A36 | 12 | |
| 1 | p100 | PL5/16x3 | 1 | 0 | A36 | 3 | |
| 4 | | 3/4" A325N | 0 | 2 1/4 | | | +1HD WASH |

| REV | DATE | DESCRIPTION |
|-----|-------------|-----------------------|
| 0 | Apr 22 2020 | ISSUE FOR FABRICATION |
| A | Mar 16 2020 | ISSUE FOR APPROVAL |

SOUTHERN STRUCTURAL STEEL OF FLORIDA, INC.
1000 31st ST. SOUTH
ST. PETERSBURG, FL 33712

STRUCTURE: CHAMPIONSGATE FREESTANDING EMERGENCY DEPARTMENT
LOCATION: CHAMPIONSGATE BLVD, POLK COUNTY, FL

| | |
|------------------------------------|---|
| REFERENCE: E1 | CONTR/CUST: THE PHM GROUP - BRADENTON, FL |
| ELECTRODES: E70XX UNO | ARCH/ENG: HEREFORD. DOOLEY ARCHITECTS / STRUCTURAL DESIGN GROUP, INC |
| HOLES: 1 3/16" FOR 3/4" BOLTS, UNO | DESCRIPTION: FABRICATION DETAIL |
| SHOP CLEAN: SP3 | DETAILER: J. MILLER DATE: 3-9-20 JOB NO: SHEET NO: REV: |
| SHOP PAINT: 1 S/C STD SHOP PRIMER | CHECKER: J. MCMAHAN DATE: 4-15-20 20006E 3B17 0 |

PLOT DATE/TIME: 22 Apr 2020 13:30:44