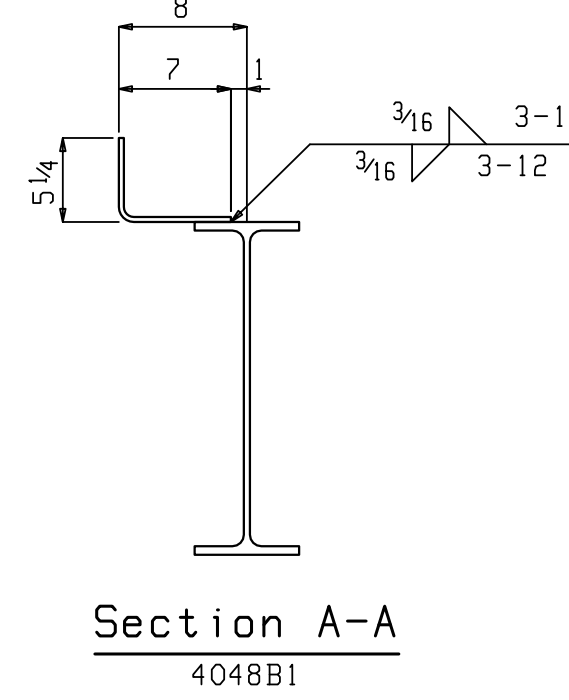
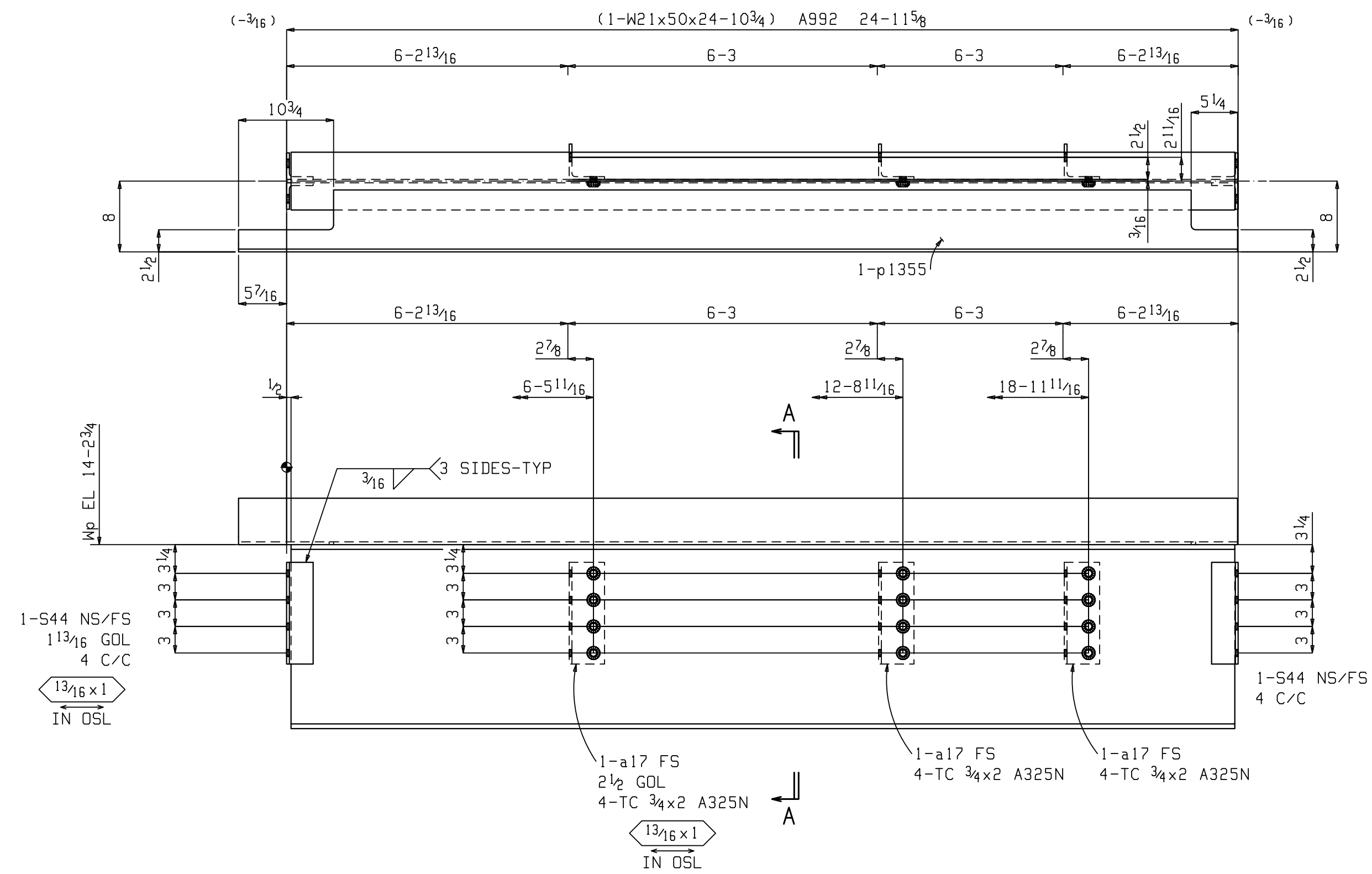


BILL OF MATERIAL

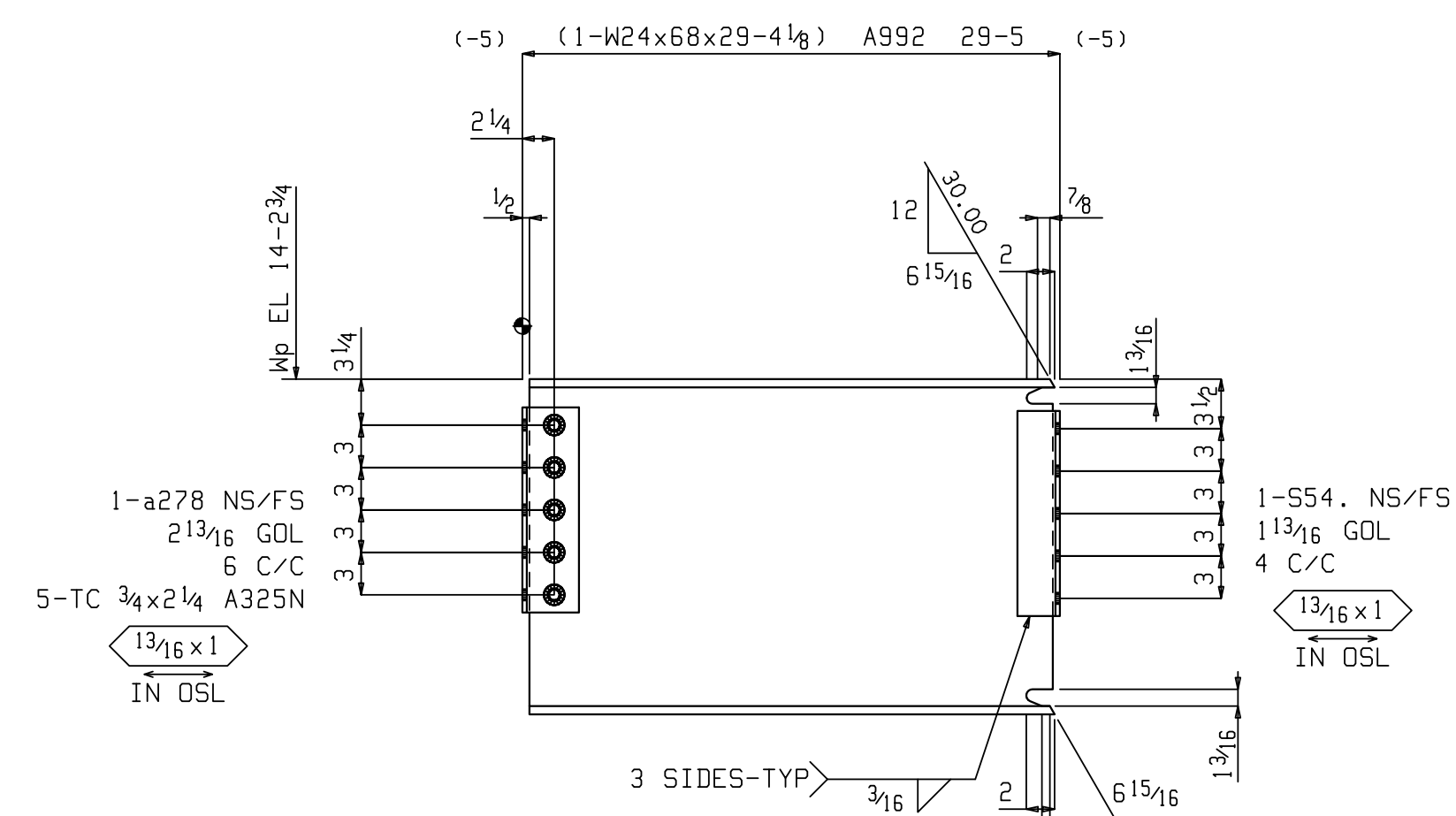
SEQ	QTY	ERECT. MK	NO.	SHAPE	LENGTH	ASSY MK	REMARKS	GRADE	ITEM	HOLE	Weight
											Unit
420	1	4048B1	ONE BEAM						3-17		1603
				1 W21x50	24 10 ³ / ₄	w2570		A992		Y	1244
				3 L4x4x ³ / ₁₆	0 11 ¹ / ₂	a17		A36		Y	7
				4 L3x3x ³ / ₁₆	0 11 ¹ / ₂	S54		A36		Y	6
				1 PL ³ / ₁₆ x11 ³ / ₈	25 5	p1355	BENT	A36		N	307
				12 TC ³ / ₄ Dia A325N	0 2		+IHD WASH				1
420	1	4048B2	ONE BEAM						2-12		2030
				1 W24x68	29 4 ¹ / ₈	w4897		A992		Y	1994
				2 L4x4x ³ / ₁₆	1 2 ¹ / ₂	a278		A36		Y	9
				2 L3x3x ³ / ₁₆	1 2 ¹ / ₂	S54		A36		Y	7
				5 TC ³ / ₄ Dia A325N	0 2 ¹ / ₄		+IHD WASH				1
420	1	4048B3	ONE BEAM						1-50		2264
				1 W24x76	29 4 ¹ / ₈	w4902		A992		Y	2228
				2 L4x4x ³ / ₁₆	1 2 ¹ / ₂	a275		A36		Y	9
				2 L3x3x ³ / ₁₆	1 2 ¹ / ₂	S54		A36		Y	7
				5 TC ³ / ₄ Dia A325N	0 2 ¹ / ₄		+IHD WASH				1

Total weight : 5897



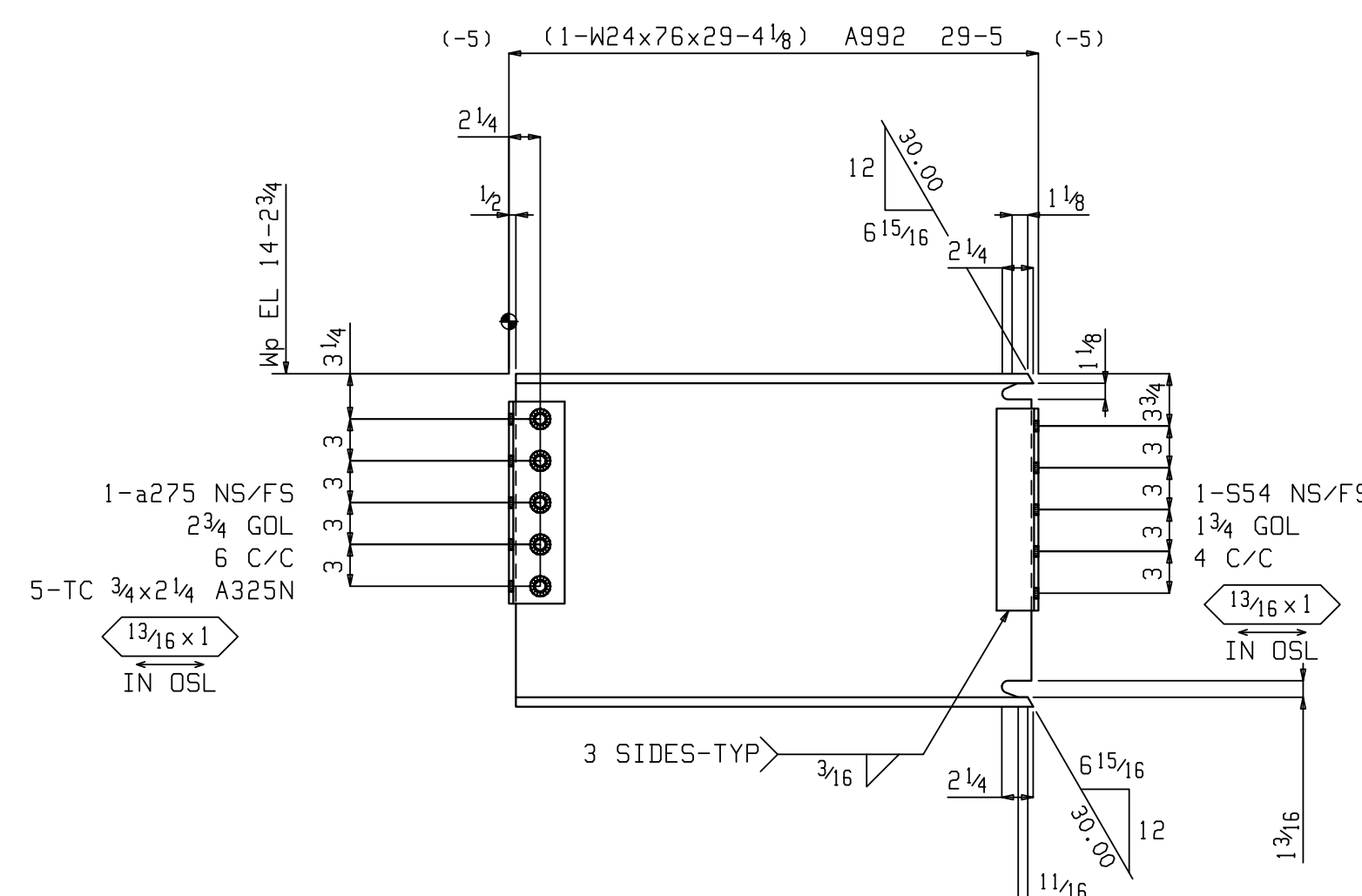
ONE BEAM 4048B1

W | 20 1 3/16 x 3/8
 F | 6 1/2 x 3/16
 K | 1 1/4 x 7/8



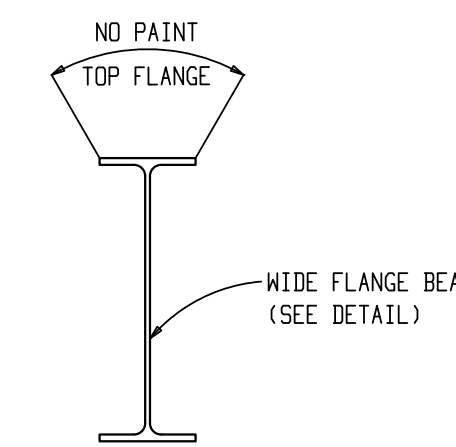
ONE BEAM 4048B2

W | 23 1 1/16 x 7/16
 F | 9 x 3/16
 K | 1 1/2 x 1 1/8

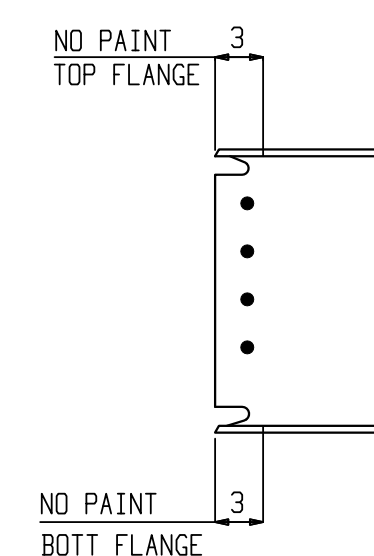


ONE BEAM 4048B3

W | 23 7/8 x 7/16
 F | 9 x 1 1/16
 K | 1 3/8 x 1 1/8



TYP. THIS SHEET



TYP @ MOMENT PREPS
 THIS SHEET

REFERENCE DRWG. / LOCATION	E401	
MATERIAL (UNLESS NOTED)	1 2/18 ¹⁶	RELEASED FOR FABRICATION
ASTM A36	A 2/8 ¹⁶	ISSUE FOR APPROVAL
REV. NO. DATE DESCRIPTION		
RELEASE AND REVISION RECORD		
SURFACE PREPARATION	SP3	
SHOP PAINT	1 S/C STD GRAY	
SHOP CONNECTIONS/ELECTRODES	WELD / E70XX	
FIELD CONNECTIONS	3/4 A325	HOLES (U.N.) 13/16
PROJECT CLEMSON FOOTBALL OPERATIONS FACILITY		
CUSTOMER DPR/SHERMAN CONSTRUCTION		
LOCATION CLEMSON, SC		
ARCH/ENG GODDHYN, MILLS, AND CAMOOD, INC. / MMSA, INC.		
DETAIL OF BEAM DETAILS (SEQ. 420)		
DETAILER	PALMETTO STRUCTURAL DETAILING	JOB NO. 162710 0003
CHECKER	McMAHAN DATE 2-5-16	DRAWING NO. F4048
PM	E. FERRILL	