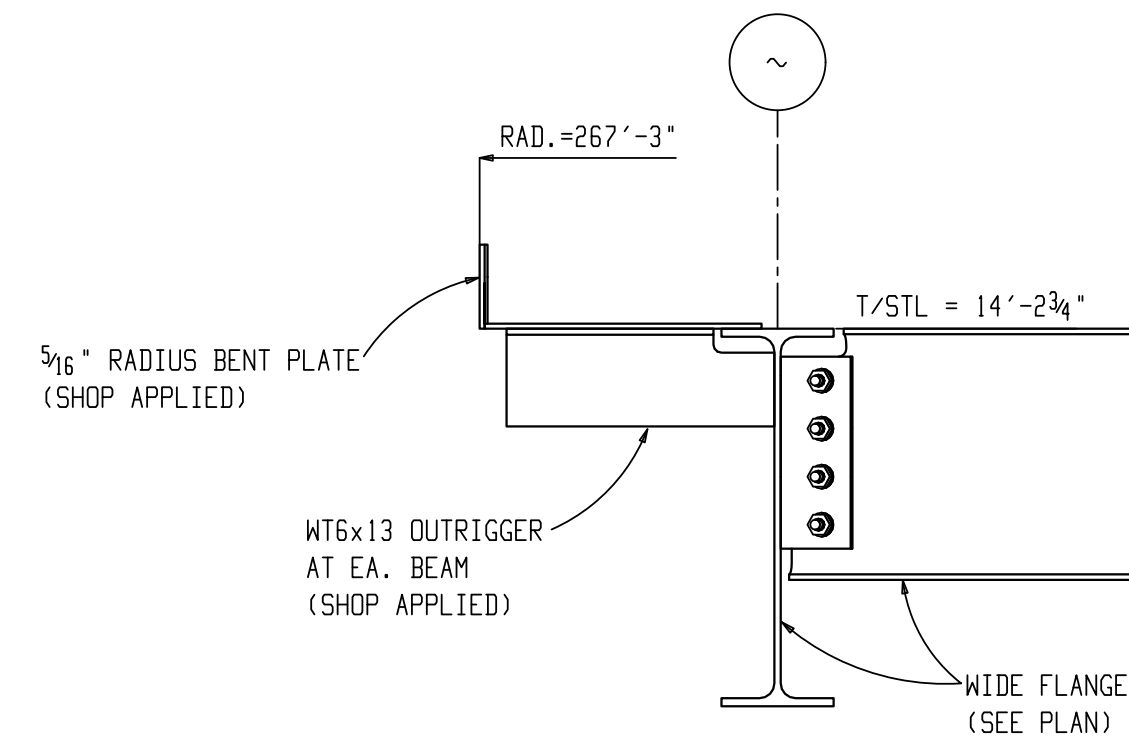
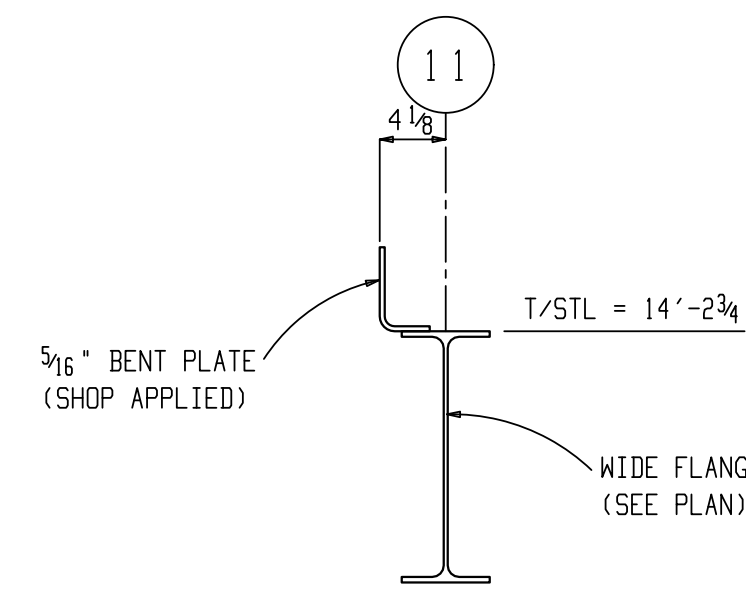


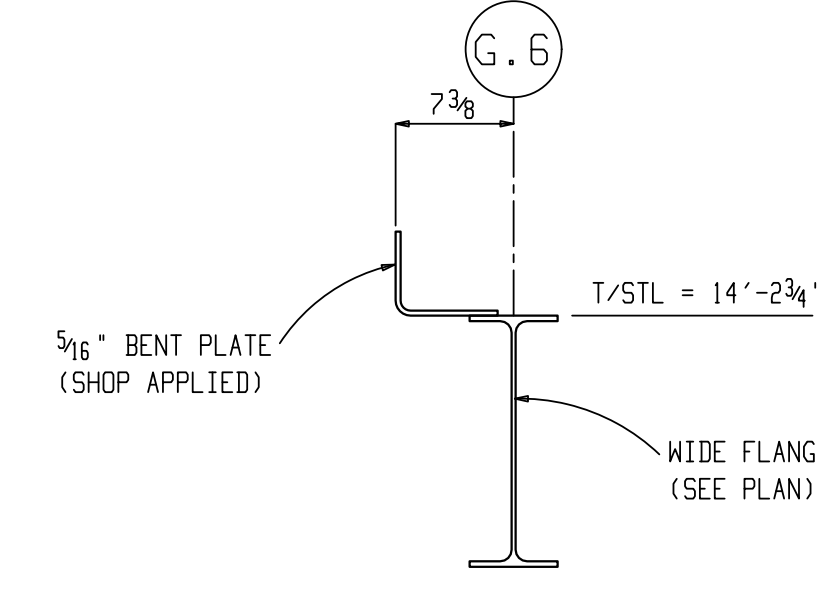
SECTION 1
REF E908



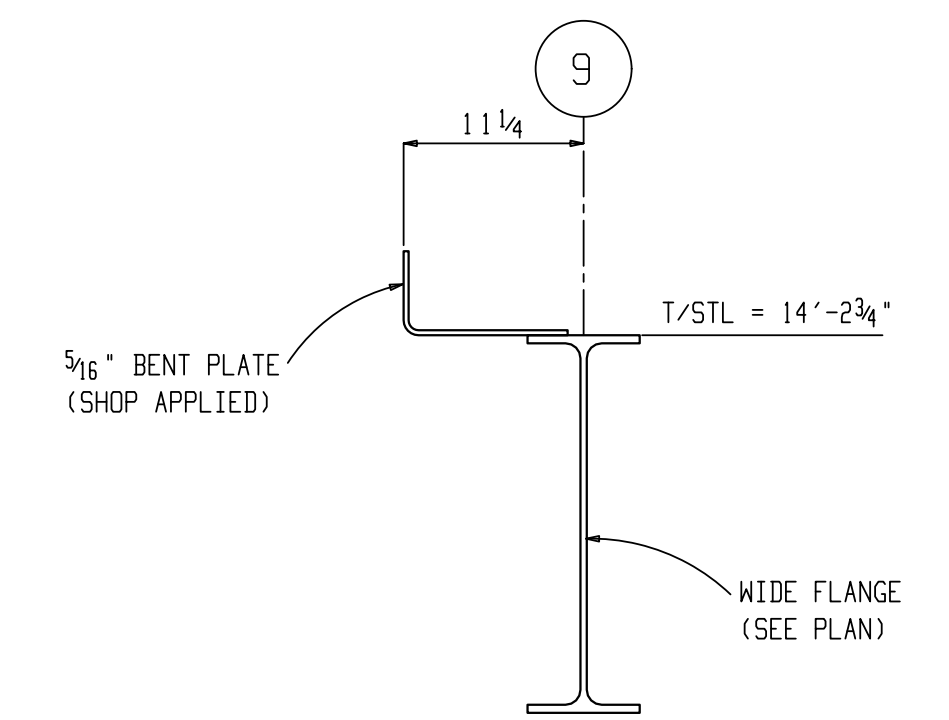
SECTION 2
REF E908



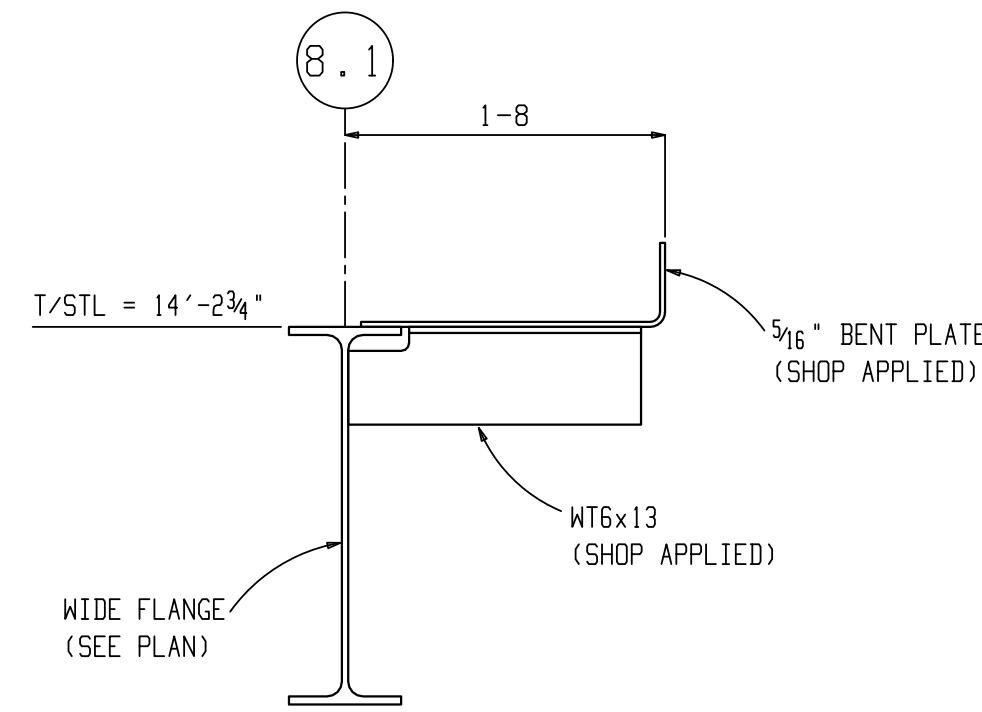
SECTION 3
REF E908



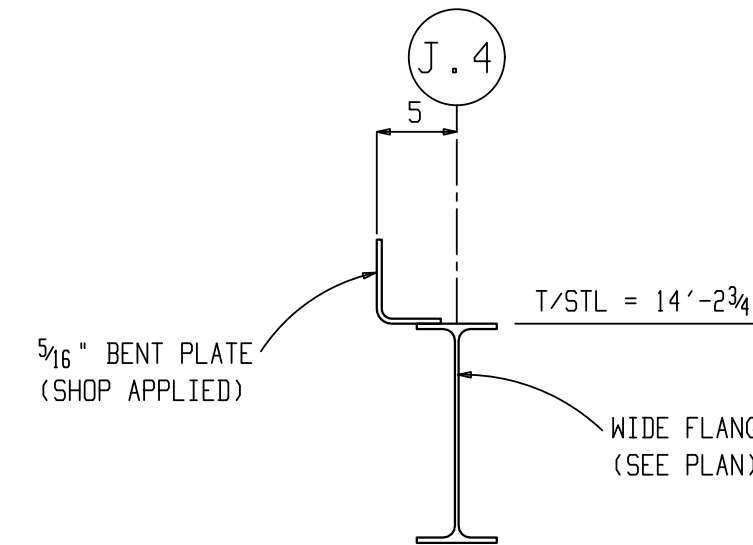
SECTION 4
REF E908



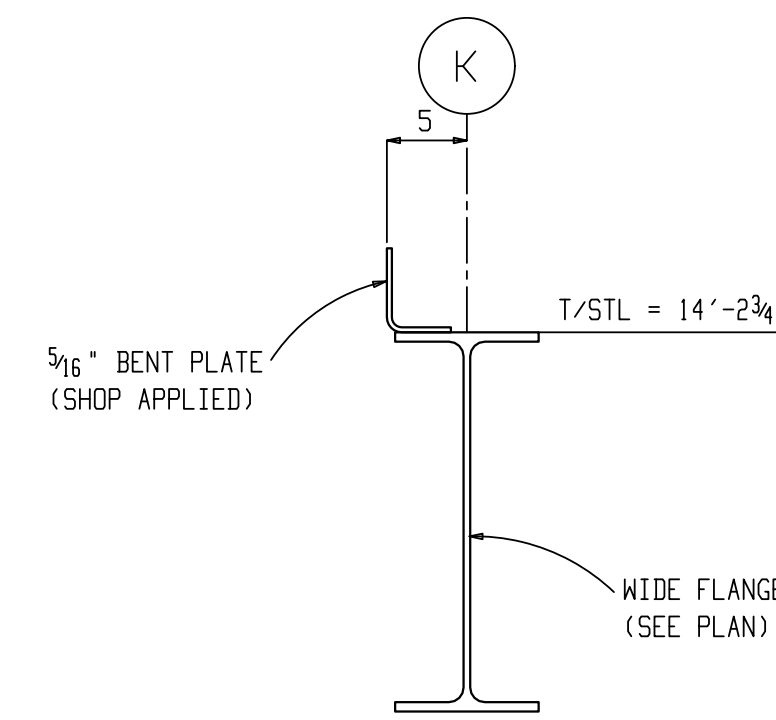
SECTION 5
REF E908



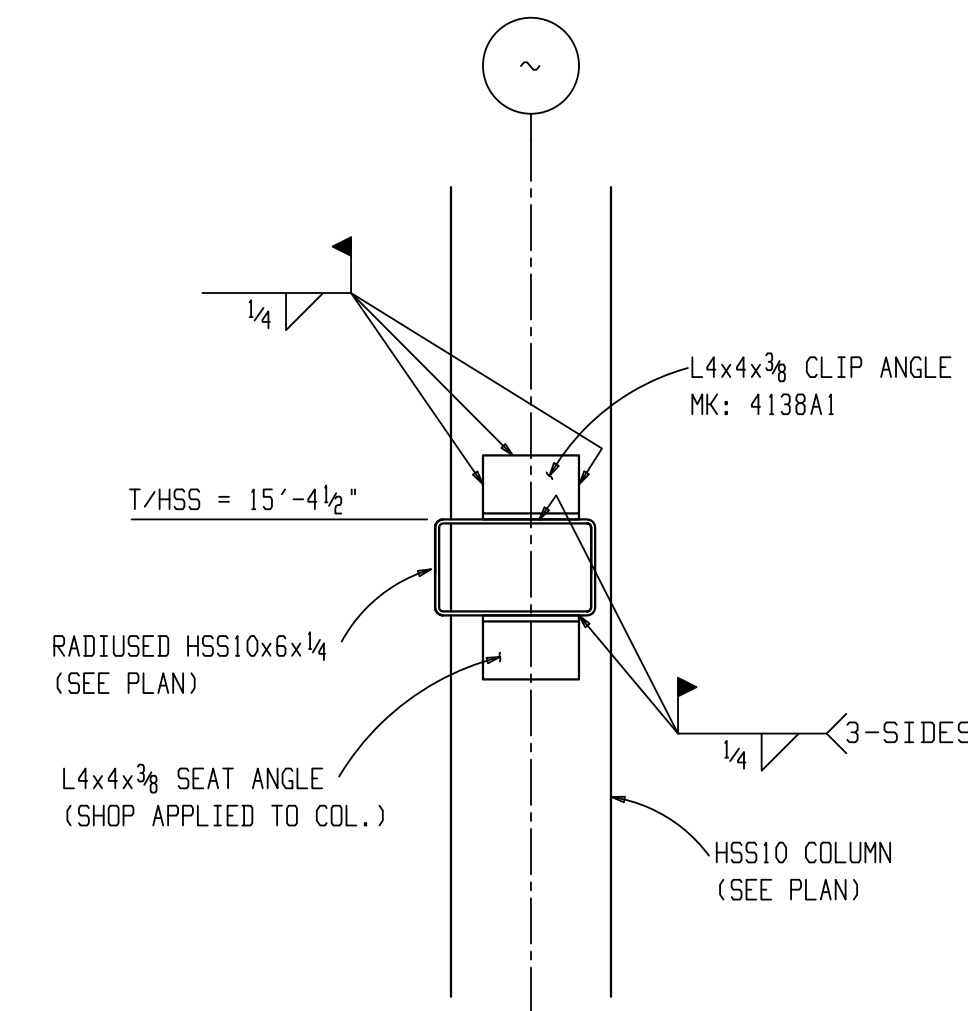
SECTION 6
REF E908



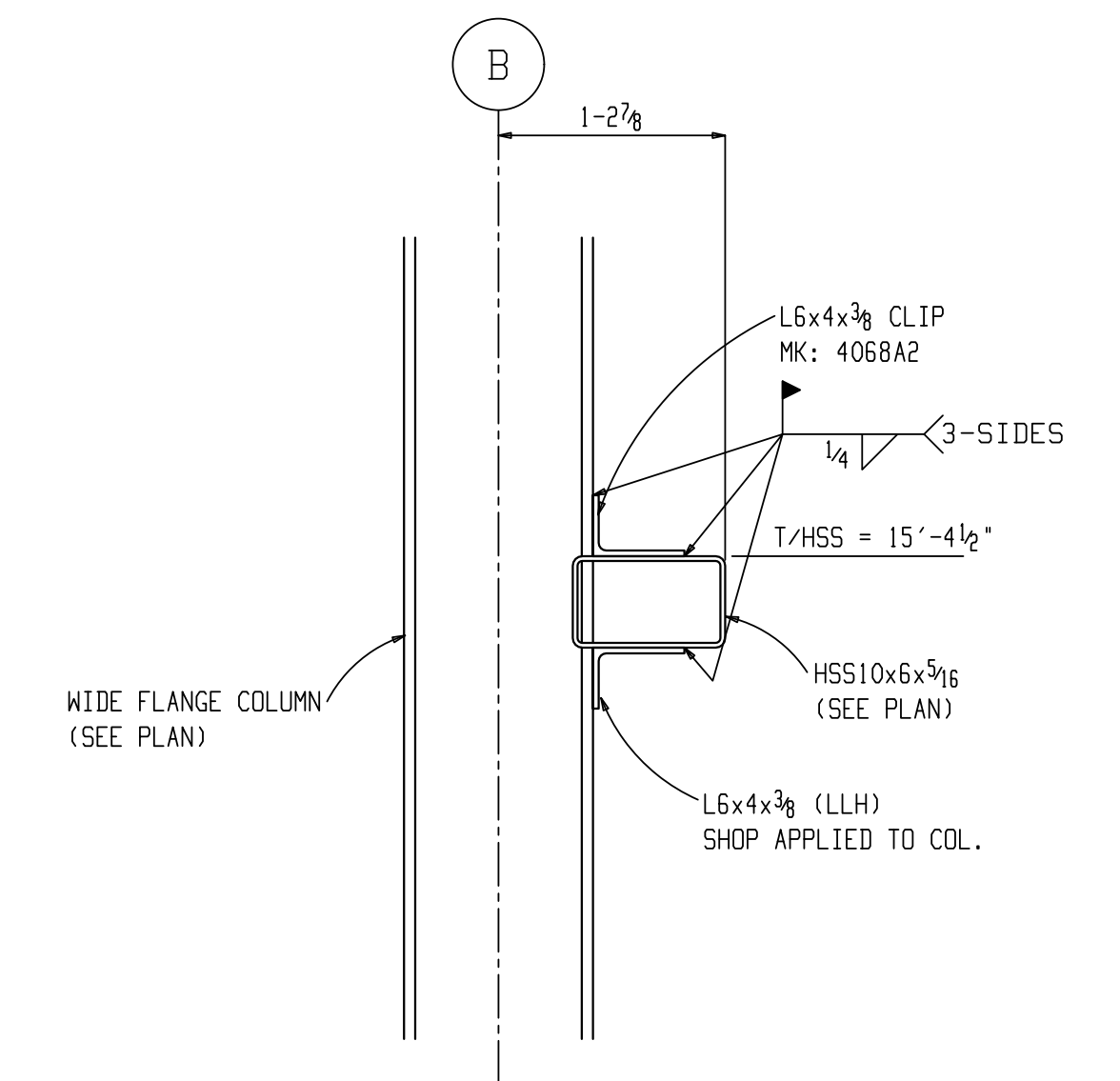
SECTION 7
REF E908



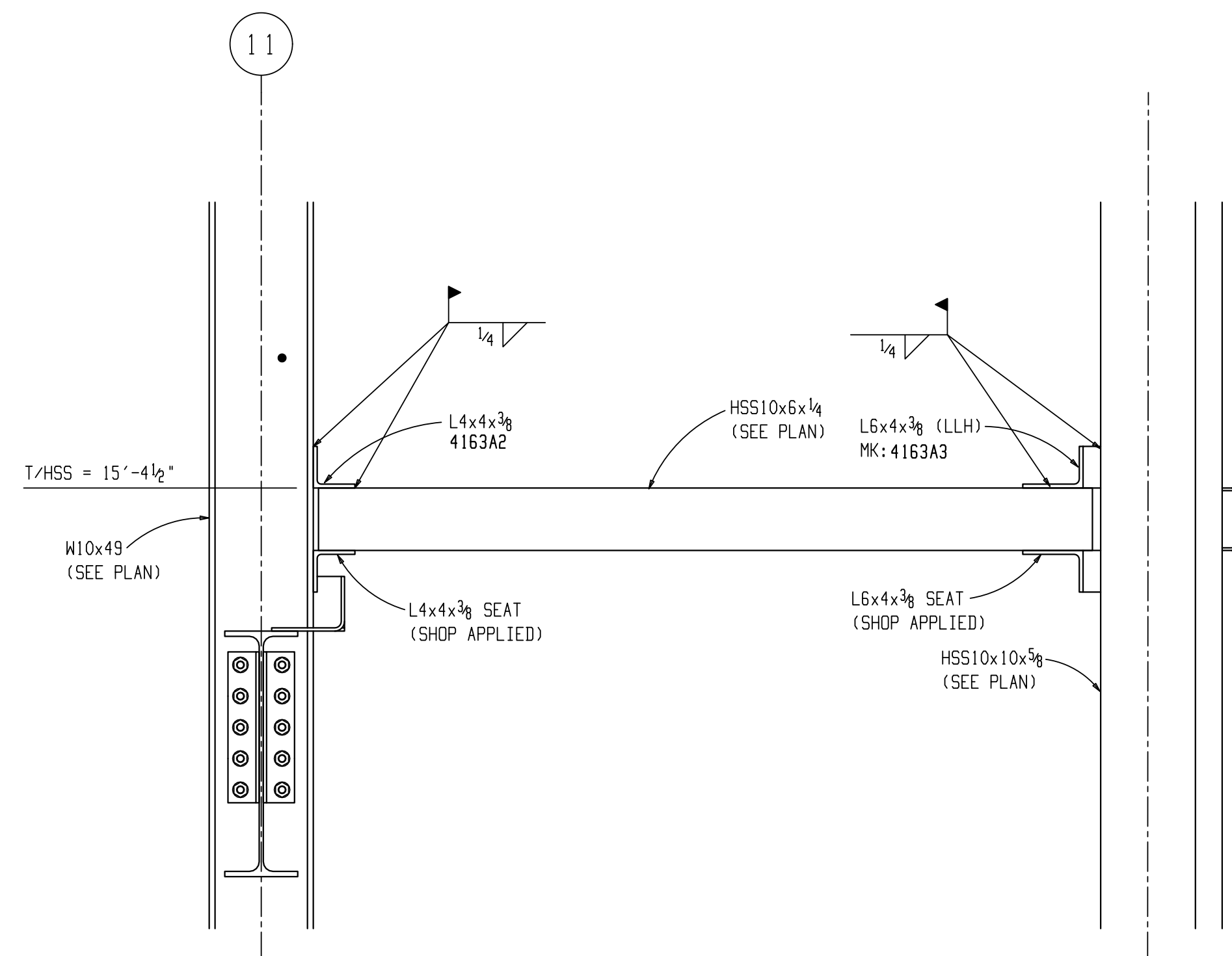
SECTION 8
REF E908



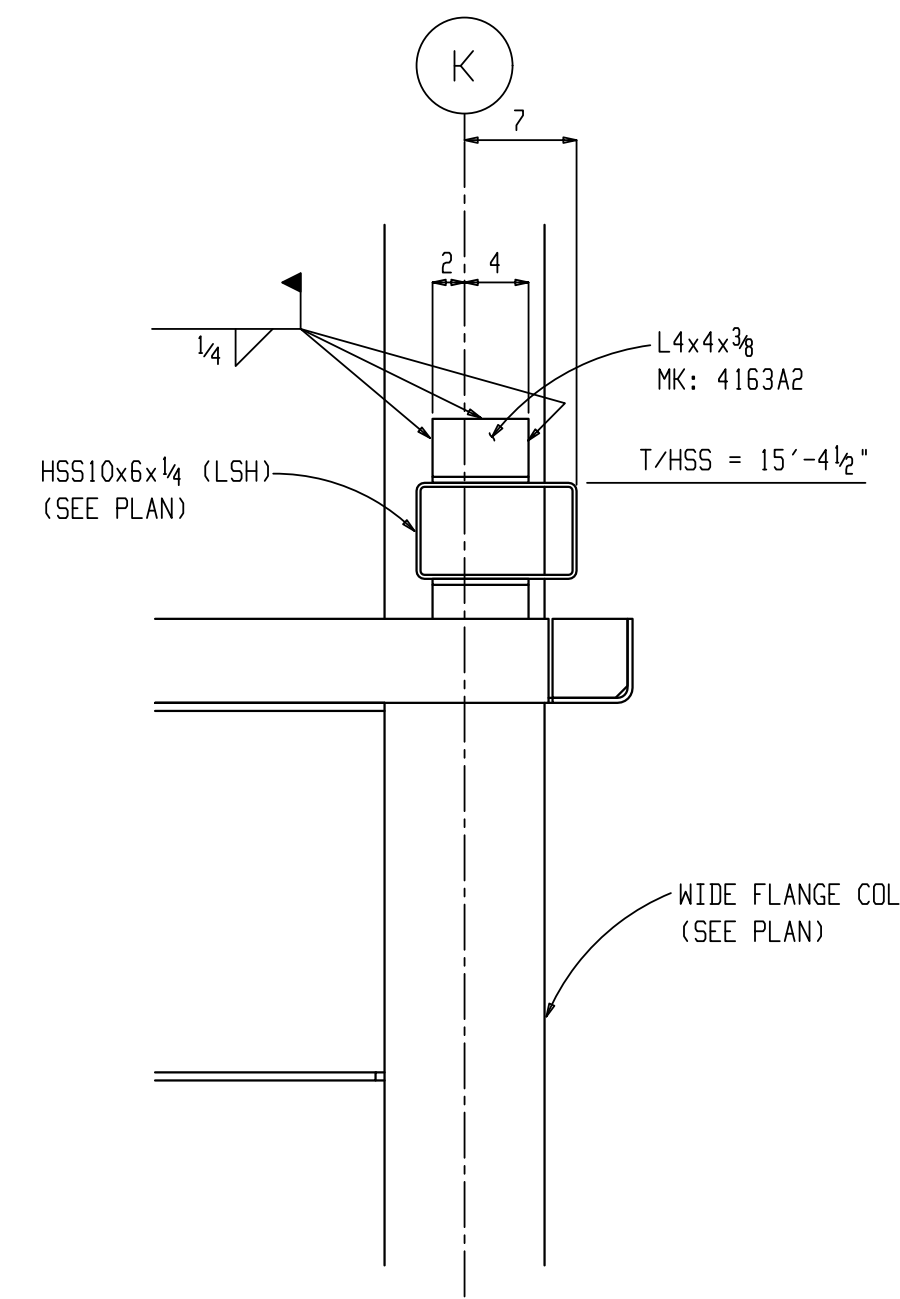
SECTION 9
REF E908



SECTION 10
REF E908




SECTION 11
REF E908



SECTION 12
REF E908

REV. NO.	DATE	DESCRIPTION
0	3-22-16	ISSUE FOR FIELD USE
A	2-8-16	ISSUE FOR APPROVAL

RELEASE AND REVISION RECORD		
 CMC STRUCTURAL P.O. BOX 71 GREENVILLE, SC 29602 PHONE: 864 244-2860 FAX: 864 244-0839		
PROJECT	CLEMSON FOOTBALL OPERATIONS FACILITY	
CUSTOMER	DPR/SHERMAN CONSTRUCTION	
LOCATION	CLEMSON, SC	
ARCH/ENG	GODDHYN, MILLS, AND CAHOOD, INC. / MMSA, INC.	
DETAIL OF	SECTIONS (SECTOR 4)	
DETAILER	PALMETTO STRUCTURAL DETAILING	JOB NO.
CHECKER	McMAHAN	DATE 2-5-16
PM	E. FERRILL	162710 0003
		E908